

Town of East Hampton
Water Pollution Control Authority
P.O. Box 218, 20 Gildersleeve Drive
East Hampton, Connecticut 06424-0218
Telephone (860) 267-2536, Fax (860) 267-9913

January 25, 2024

Aldrich Construction Company Inc.
Mr. James Aldrich
Dr. Grillo

Re: 11 Pine Trail

Dear Mr. Aldrich

Per my conversation with you and Bob Deluca of CLA, I have no problem with rebuilding the sea wall at 11 Pine Trail as long as it does not affect the sewer lines that are in the easement area. As I explained to you the WPCA has spent money repairing and lining the force main to ensure that the integrity of the pipe is maintained. I am supportive of the sea wall reconstruction and I would caution you that any damage to these pipes would be the responsibility of the contractor and home owner to repair at their cost to the acceptance of the WPCA engineer.

If you have any questions please feel free to contact this office.

Very truly yours,

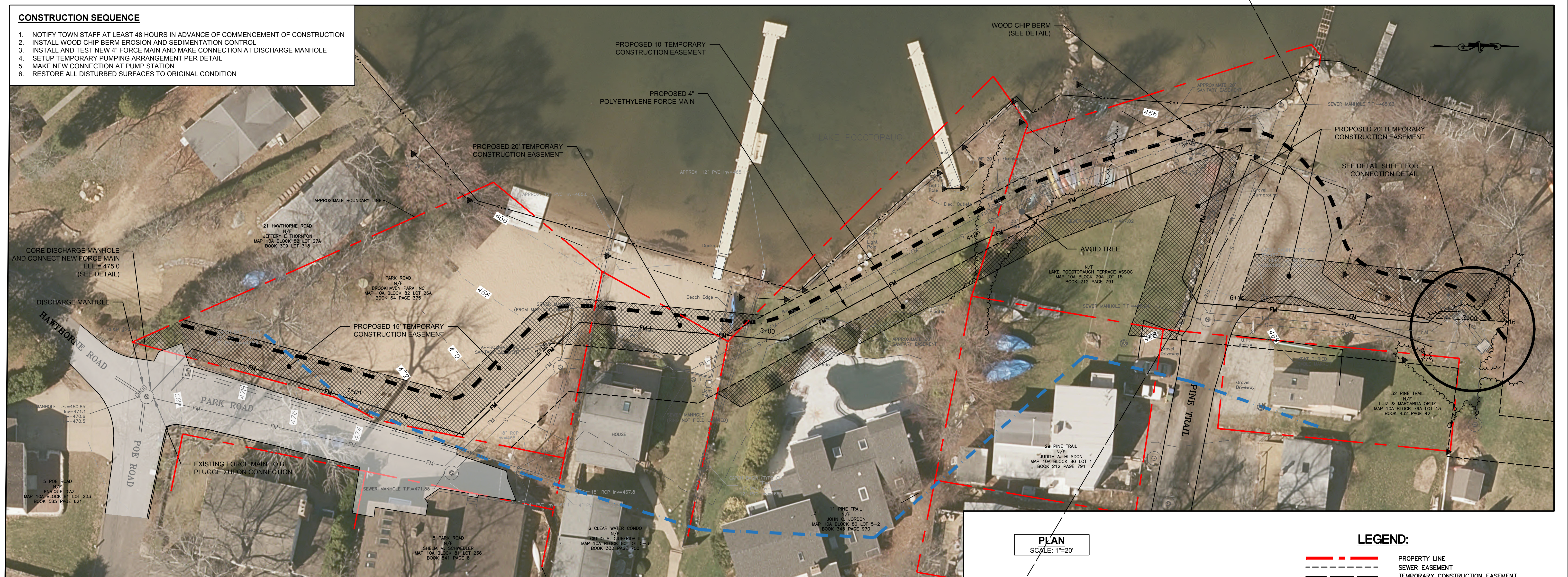


Scott Clayton
Public Utilities Administrator

CC: File

CONSTRUCTION SEQUENCE

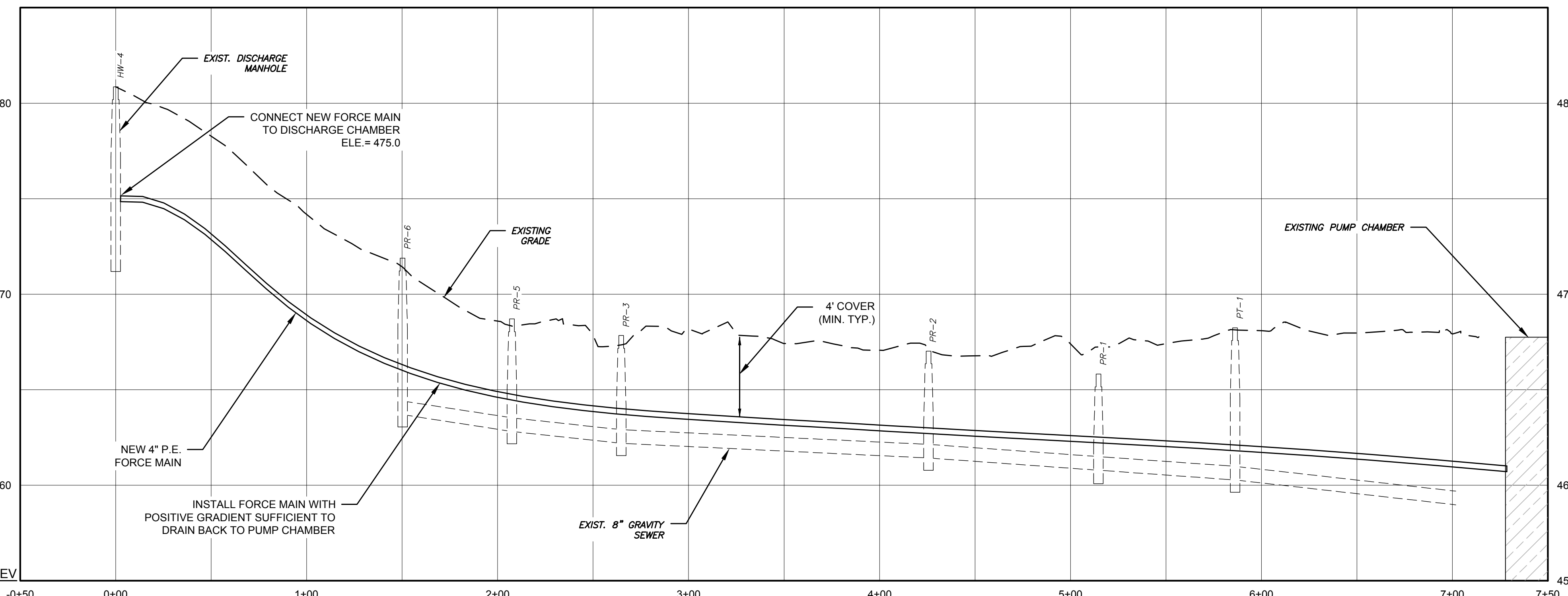
1. NOTIFY TOWN STAFF AT LEAST 48 HOURS IN ADVANCE OF COMMENCEMENT OF CONSTRUCTION
2. INSTALL WOOD CHIP BERM EROSION AND SEDIMENTATION CONTROL
3. INSTALL AND TEST NEW 4" FORCE MAIN AND MAKE CONNECTION AT DISCHARGE MANHOLE
4. SETUP TEMPORARY PUMPING ARRANGEMENT PER DETAIL
5. MAKE NEW CONNECTION AT PUMP STATION
6. RESTORE ALL DISTURBED SURFACES TO ORIGINAL CONDITION



PLAN
SCALE: 1"=20'

LEGEND:

- PROPERTY LINE
- SEWER EASEMENT
- TEMPORARY CONSTRUCTION EASEMENT
- UPLAND REVIEW AREA
- PROPOSED WOODCHIP BERM
- GAS LINE
- SEWER LINE
- SEWER FORCE MAIN
- DRAINAGE PIPE
- CONTOUR
- CHAIN LINK FENCE
- STOCKADE FENCE
- RETAINING WALL
- STONE WALL
- GUIDERAIL
- TREE LINE
- EDGE OF WETLANDS
- STREAM
- WETLAND FLAG/LINE
- CATCH BASIN
- ELECTRIC MANHOLE
- SEWER MANHOLE
- DRAINAGE MANHOLE
- UTILITY POLE
- DRILL HOLE
- IRON PIN, IRON PIPE
- MERESTONE, CT HIGHWAY DEPARTMENT, MONUMENT
- TREE
- SHRUB
- LAMP



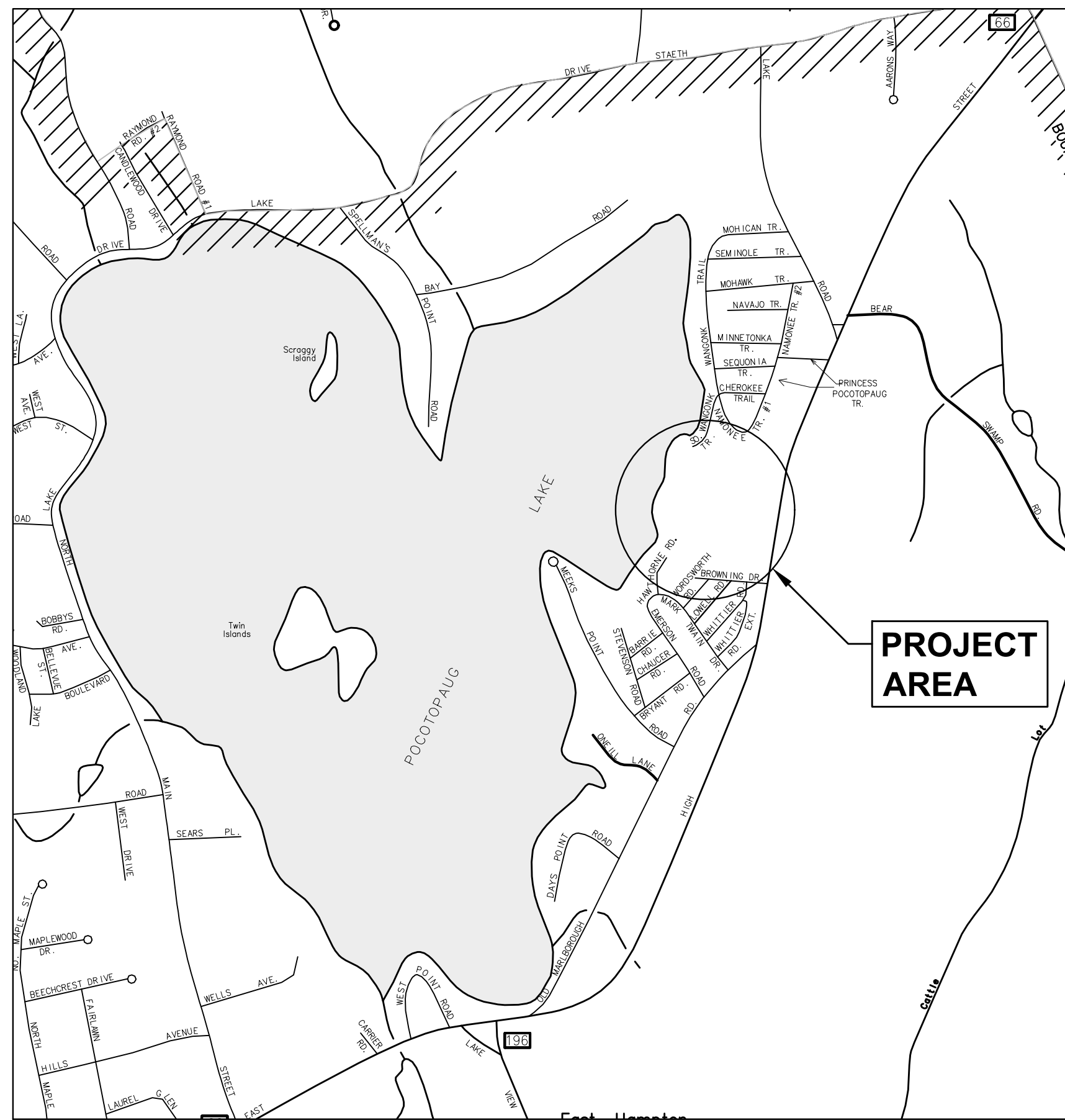
PROPOSED FORCE MAIN - Sta -0+50 to Sta 7+50
 Horiz. Scale = 1" = 40 Feet
 Vert. Scale = 1" = 4 Feet

RECEIVED
6.28.2021
 East Hampton
 Land Use Office

			<p>CLA Engineers, Inc. CIVIL • STRUCTURAL • SURVEYING</p> <p>317 Main Street Norwich, CT 06360 (860) 886-1966 Fax (860) 886-9165</p>
<p>Project No. CLA-6365 Proj. Engineer R.A.D. Date: 02/01/20 Sheet No. 1</p>			
<p>1 6/21 MISC. REVISIONS</p>		<p>EAST HAMPTON WPCA</p> <p>PINE TRAIL FORCE MAIN REPLACEMENT</p> <p>SITE PLAN</p>	

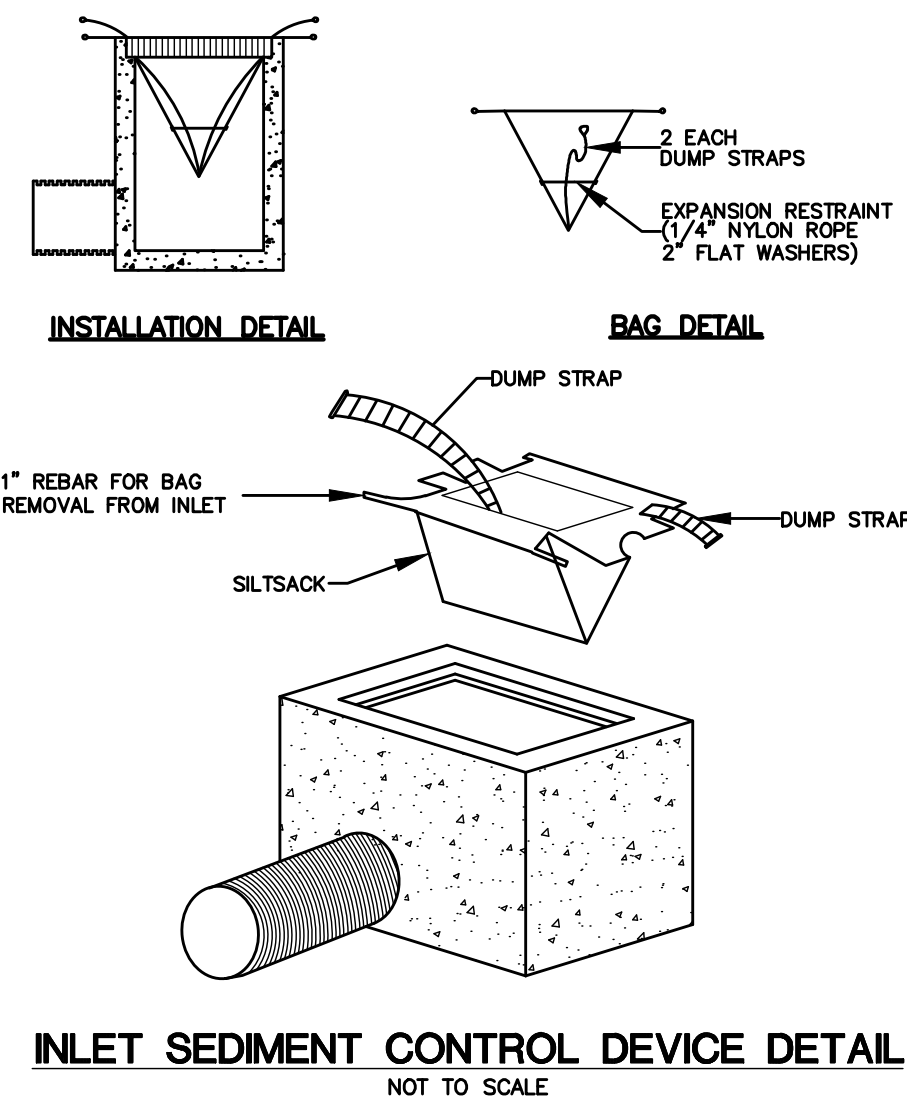
M:\0000\0300\Pine Trail Force Main\Drawings\6365 Proposed Conditions.dwg, 6/24/2021 2:37:49 PM, DWG To PDF.pc3



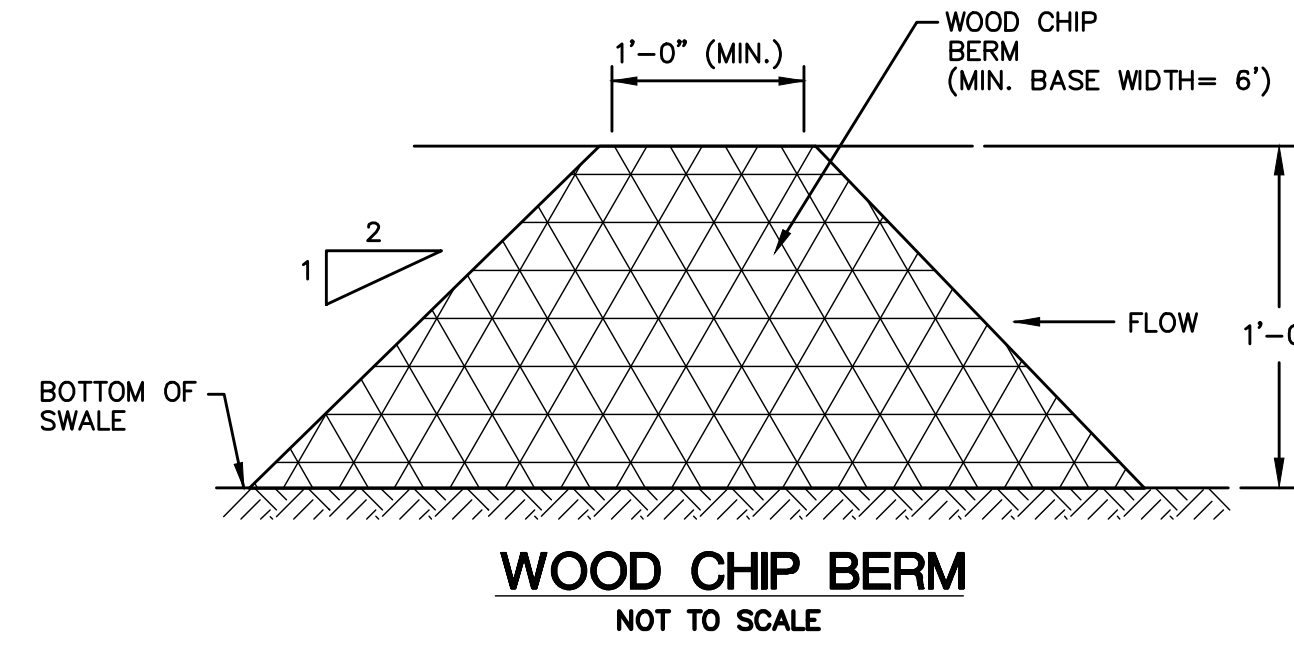


LOCUS MAP
Scale 1" = 1,000'

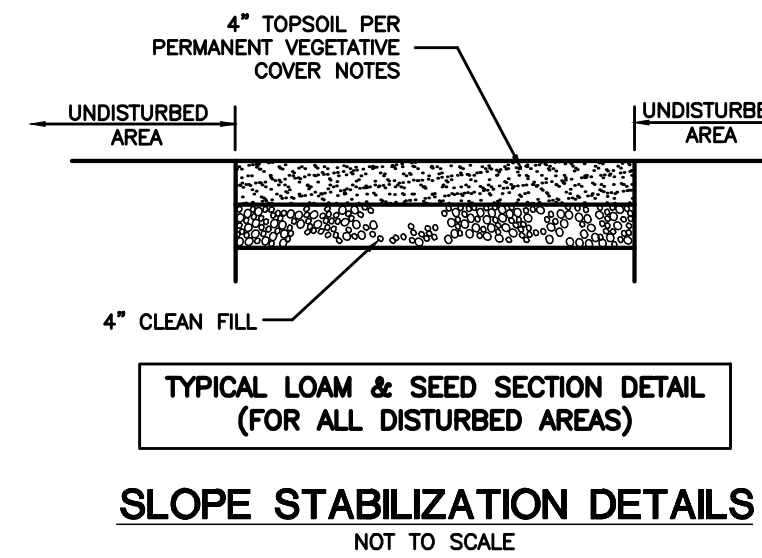
PROJECT AREA



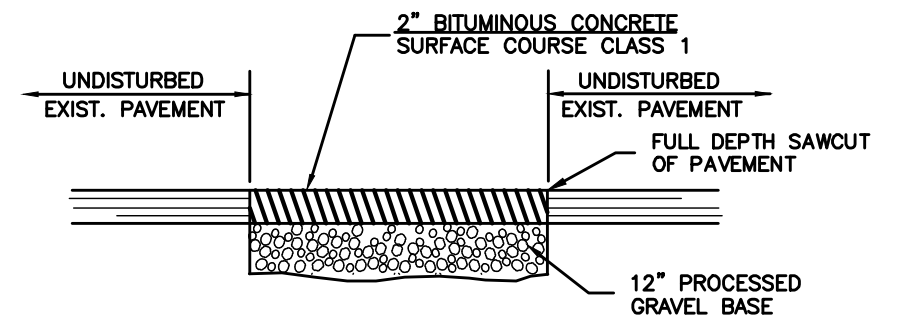
INLET SEDIMENT CONTROL DEVICE DETAIL
NOT TO SCALE



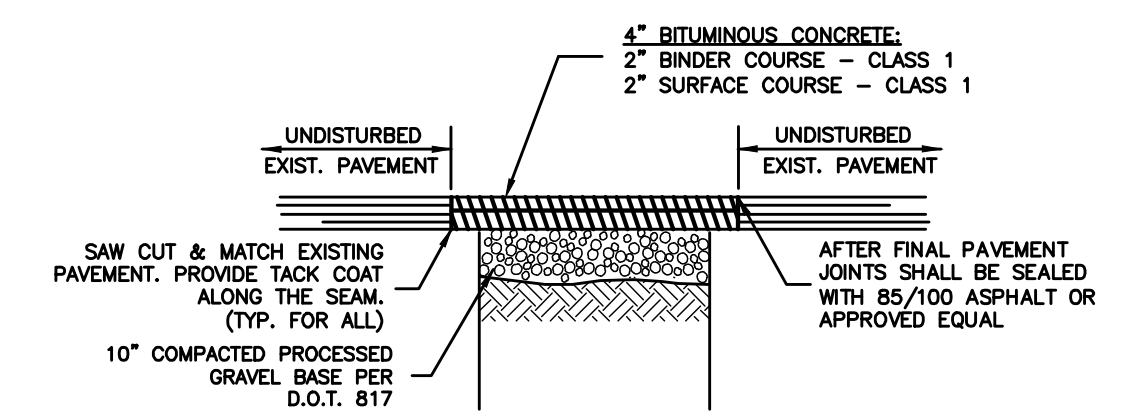
WOOD CHIP BERM
NOT TO SCALE



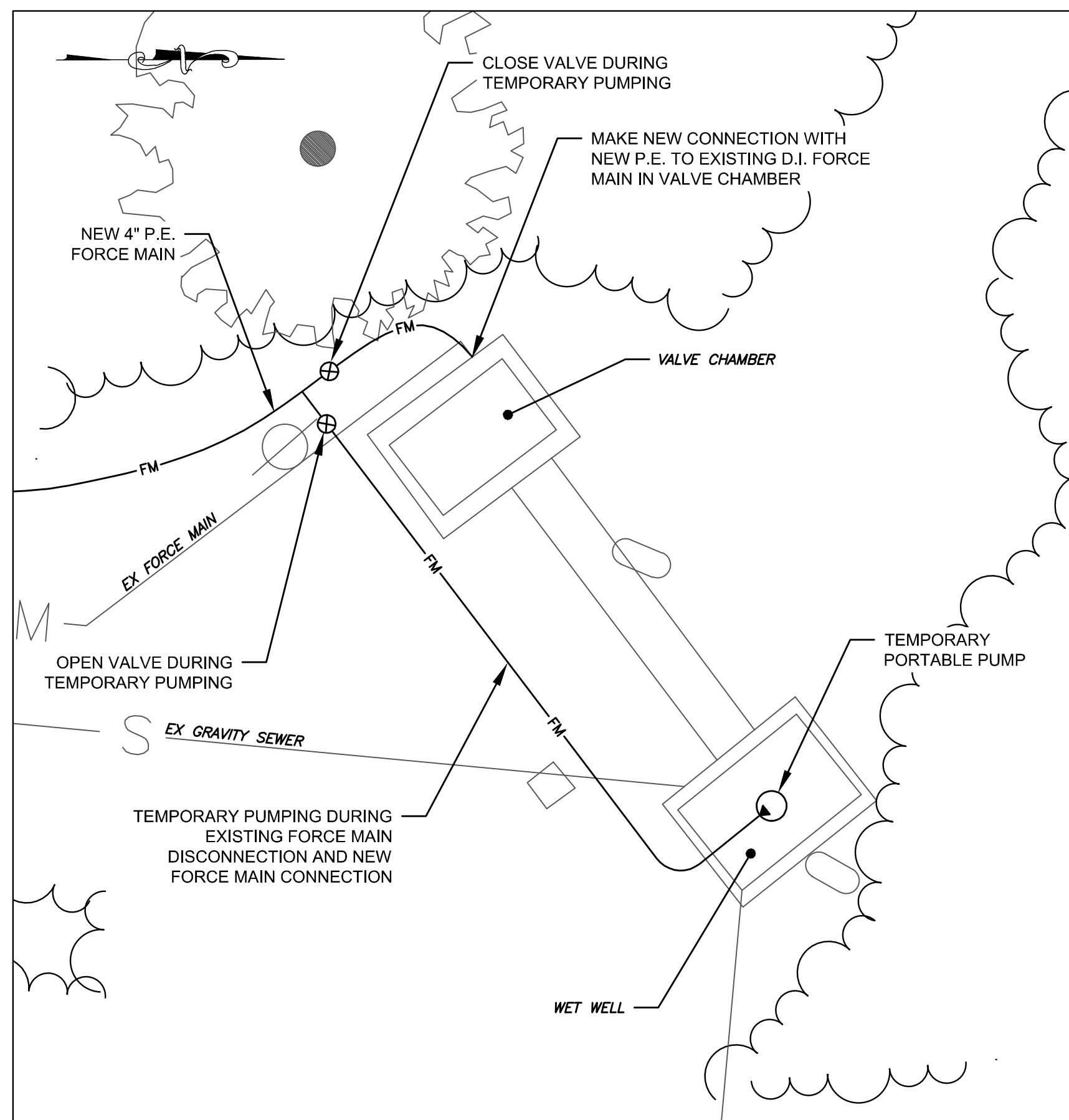
SLOPE STABILIZATION DETAILS
NOT TO SCALE



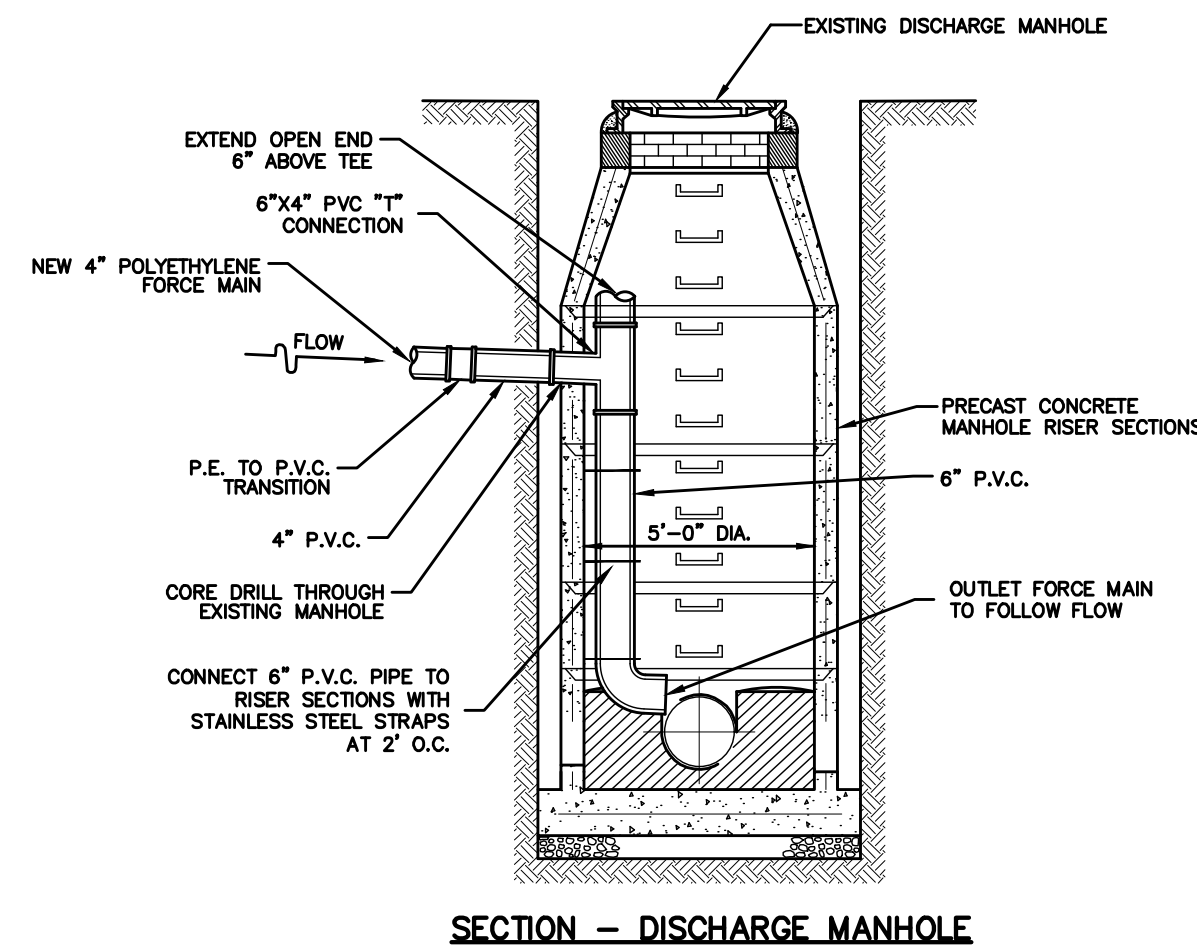
TEMPORARY PAVEMENT REPAIR (LOCAL ROADS)
NOT TO SCALE



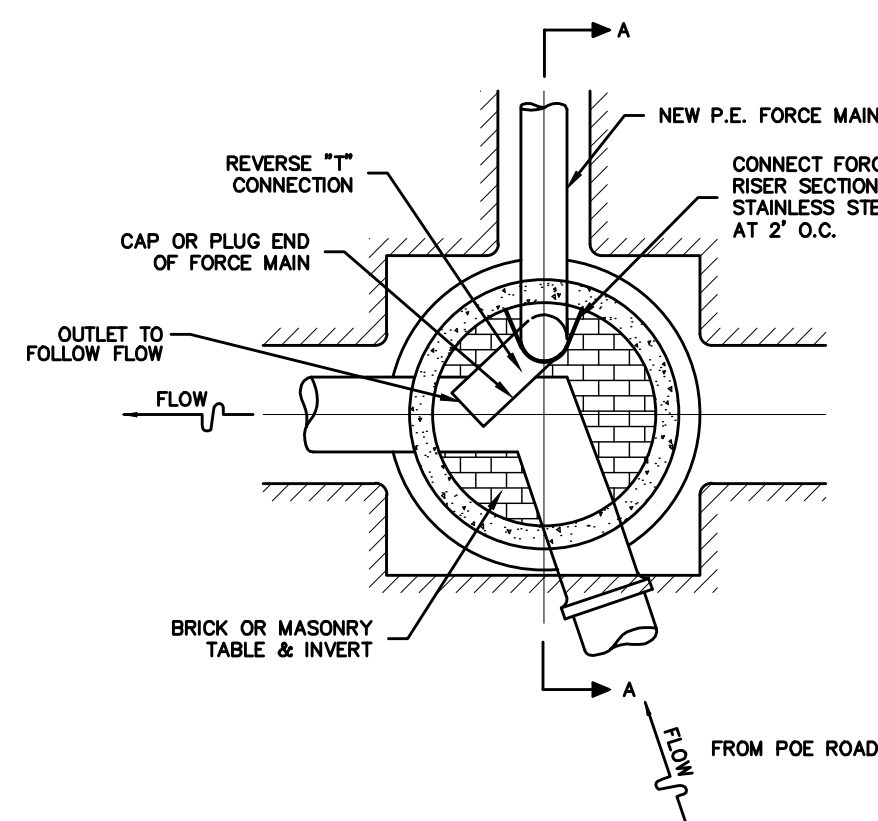
PERMANENT PAVEMENT REPAIR (LOCAL ROADS)
NOT TO SCALE



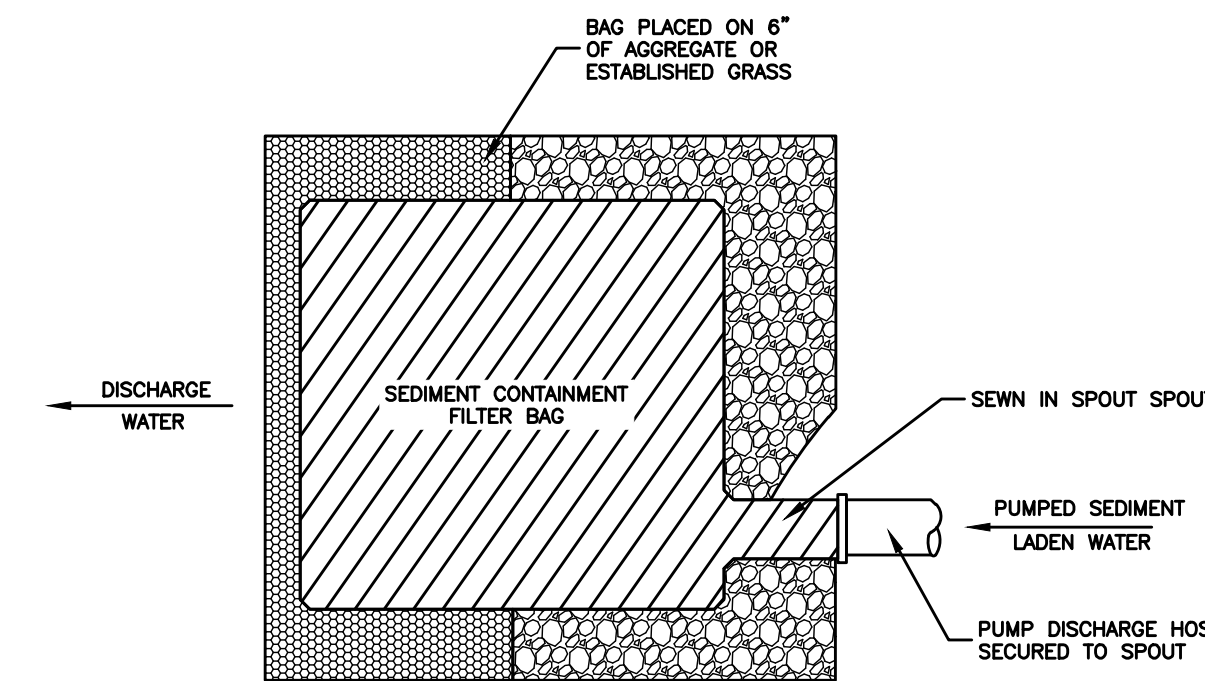
TEMPORARY PUMPING DETAIL
Scale 1" = 4'



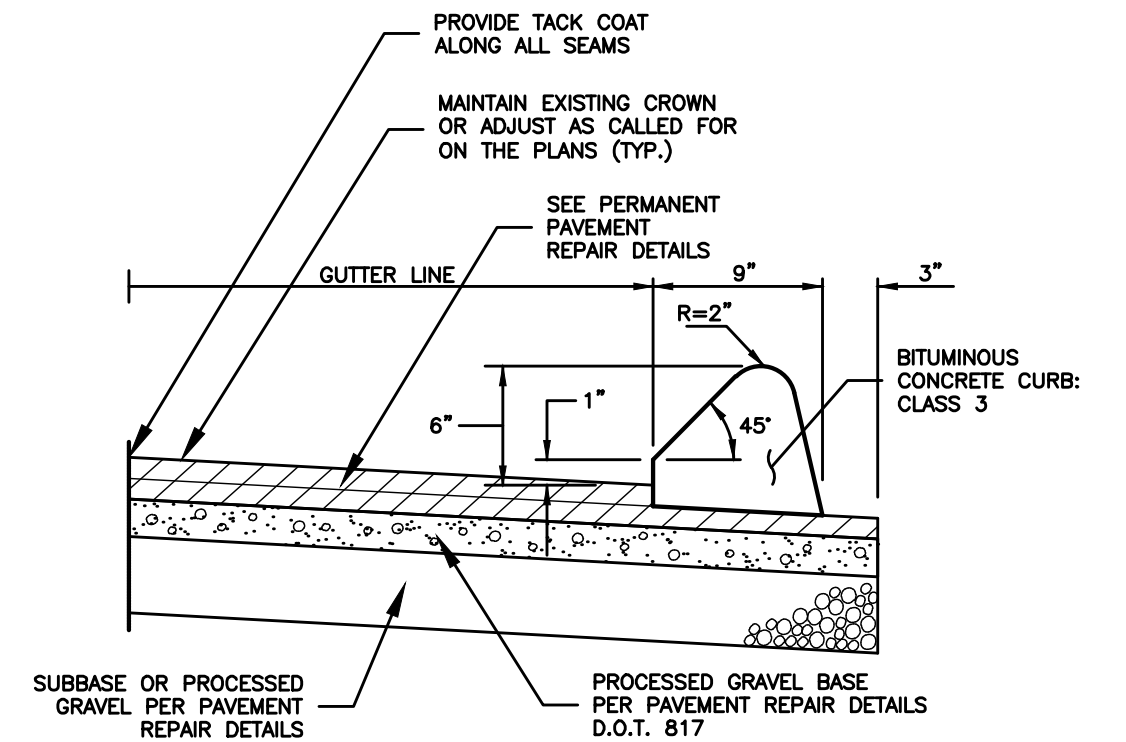
SECTION - DISCHARGE MANHOLE



PLAN - INVERT TABLE
NOT TO SCALE



SEDIMENT CONTAINMENT BAG DETAIL
NOT TO SCALE



BITUMINOUS CONCRETE LIP CURBING
NOT TO SCALE

CLA Engineers, Inc. CIVIL • STRUCTURAL • SURVEYING 317 Main Street Norwich, CT 06360 (860) 886-1968 Fax (860) 886-9165			Project No. CLA-6365
			Proj. Engineer R.A.D.
EAST HAMPTON WPCA			Date: 02/01/20
PINE TRAIL FORCE MAIN REPLACEMENT			Sheet No. 2
DETAILS			
No. 1 DATE 6/21 REVISION MISC. REVISIONS			

M:\6000\6300\6365 Pine Trail Force Main Drawings\6365 Details.dwg, 6/25/2021 9:23:28 AM, DWG To PDF.pc3

