

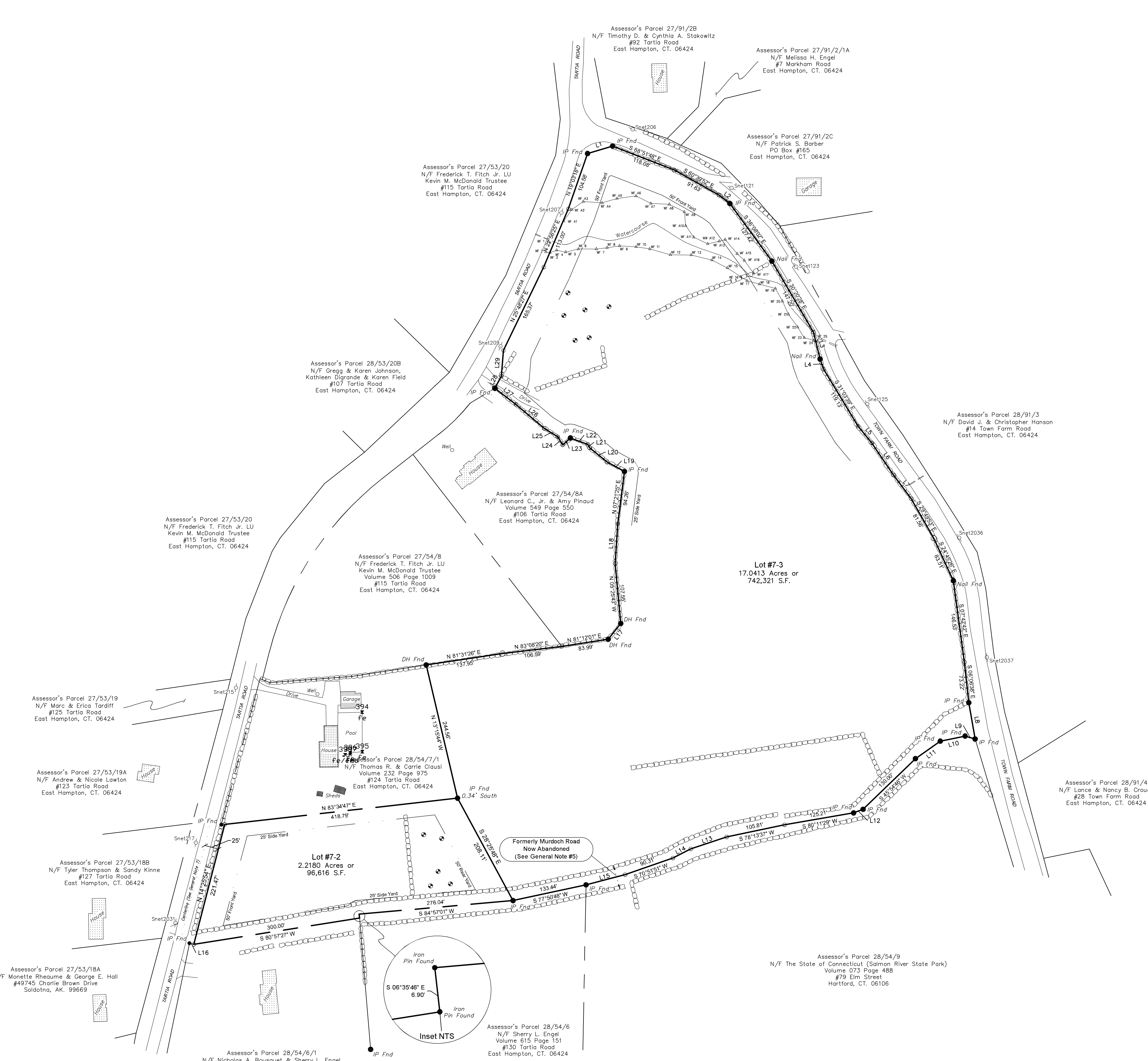
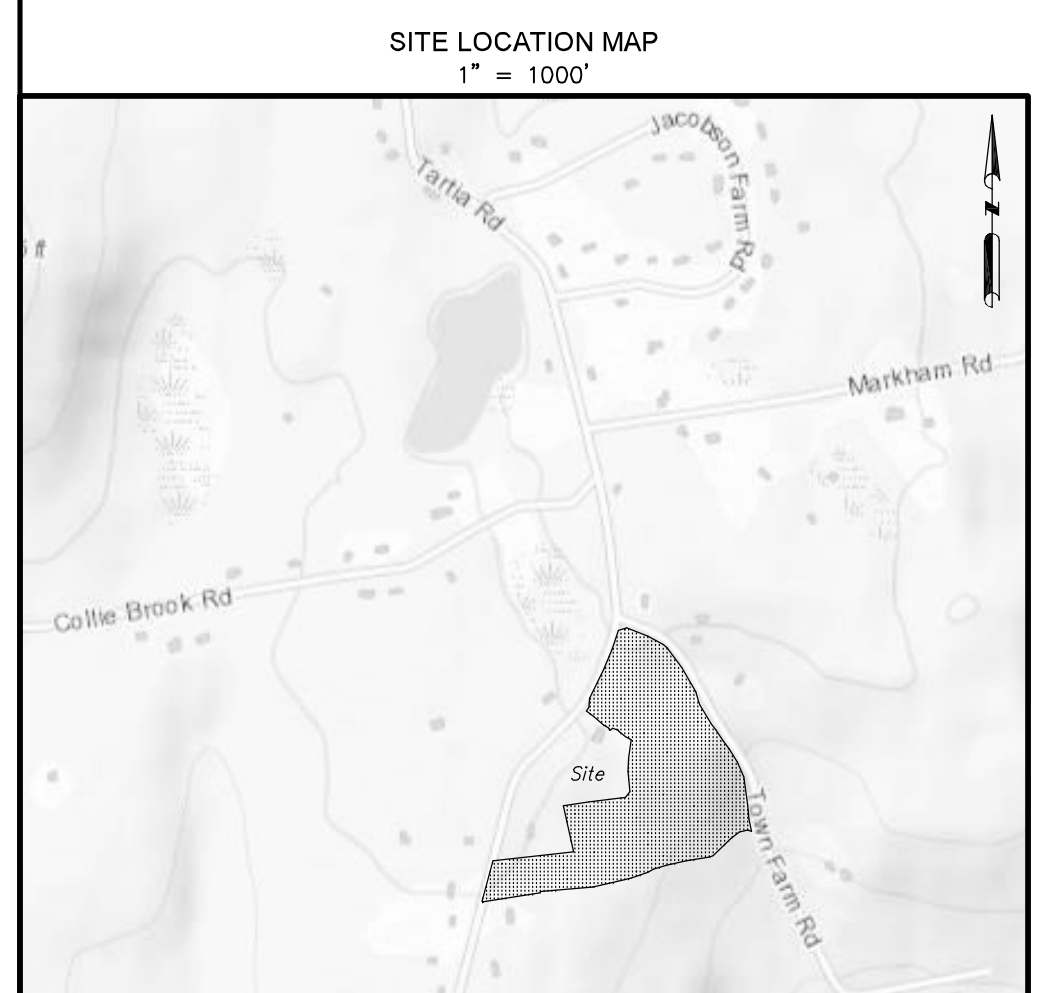
SURVEY NOTES:
 This survey has been prepared pursuant to the Regulations of Connecticut State Agencies Sections 20-300b-1 through 20-300b-20 and the "Standards of Surveys and Maps in the State of Connecticut" as adapted by the Connecticut Association of Land Surveyors, Inc. on September 26, 1996.
 The type of survey prepared is a PROPERTY BOUNDARY SURVEY.
 Boundary determination is based on a DEPENDENT RESURVEY.
 This survey conforms to a "Class A-2" Survey.

- REFERENCE MAPS:**
- A.) ASSESSORS PARCEL: 27/54/7.
 - B.) "PROPERTY SURVEY SHOWING FIRST CUT OF LAND NOW OR FORMERLY OF FREDERICK T. FITCH JR., TARTIA ROAD, EAST HAMPTON, CONNECTICUT SCALE: 1"=40' DATE: OCTOBER 25, 2002 BY MICHAEL J. BENNETT". MAP #61-11, EAST HAMPTON LAND RECORDS.
 - C.) "PROPERTY OF SUZANNE E. REDFIELD TO BE CONVEYED TO THOMAS R. & CARRIE R. CLAUSI TARTIA ROAD EAST HAMPTON, CONNECTICUT SCALE: 1"=20' DATE: JANUARY 17, 1990 BY RICHARD F. MIHOK". MAP #44-13, EAST HAMPTON LAND RECORDS.
 - D.) "IMPROVEMENT LOCATION SURVEY PREPARED FOR SHERRY E. & DONALD J. OCHANKOWSKI JR., PROPERTY OF HOWARD J. ENGEL, JR. TARTIA ROAD EAST HAMPTON, CONNECTICUT SCALE: 1"=40' DATE: JUNE 14, 1988 BY ADAM J. MEISTERLING". MAP #51-64, EAST HAMPTON LAND RECORDS.
 - E.) "OPTIONED PROPERTY OF EST. OF JAMES J. MURDOCK EAST HAMPTON, CONN. TRACT #555 TRANSIT SURVEY BY GEO. DOUGLASS, ENG. DEPT. RESETTLEMENT ADMINISTRATION DATE 3/18/37 SCALE: 1"=400'".
 - F.) "PROPERTY/BOUNDARY SURVEY -PREPARED FOR- CARRIE SUE CLAUSI TARTIA ROAD & TOWN FARM ROAD EAST HAMPTON, CONNECTICUT SCALE: 1"=80' DATE: JUNE 30, 2016 BY JACKOWIAK LAND SURVEYING".

- GENERAL NOTES:**
- 1.) ZONE: R-4, RESIDENTIAL.
 - 2.) BEARINGS ARE BASED ON CONNECTICUT STATE GRID (NAD1983 DATUM) VIA CGS MONUMENTS #5056 & #5057, HAVING THE FOLLOWING PUBLISHED VALUES:
 #5056: N - 761,022.069, E - 1,076,299.170
 #5057: N - 761,764.149, E - 1,076,512.404
 - 3.) TOPOGRAPHY DEPICTED HEREON REPRESENTS CONTOURING GENERATED BY THE 2016 STATE OF CONNECTICUT STATEWIDE LIDAR SURVEY, AS PUBLISHED BY THE CONNECTICUT DEPARTMENT OF ENERGY AND ENVIRONMENTAL PROTECTION.
 - 4.) TOTAL CONSOLIDATED LOT AREA = 19.2593 ACRES OR 838,937 S.F.
 - 5.) OLD HIGHWAY FORMERLY KNOWN AS "MURDOCK ROAD" WAS ABANDONED BY THE EAST HAMPTON TOWN COUNCIL AT A MEETING DATED OCTOBER 25, 1994 AS PER TOWN COUNCIL MINUTES.
 - 6.) WETLAND DELINEATION DEPICTED HEREON BY JAMES SIPPERLY, CERTIFIED SOIL SCIENTIST 5-10-22. (SEE REFERENCE MAP "F")
 - 7.) STREETLINE DEPICTED HEREON IS APPROXIMATELY 25' FROM THE CENTER OF PAVEMENT.

RECORD OWNER:
 CARRIE SUE CLAUSI
 VOLUME 520 PAGE 230
 EAST HAMPTON LAND RECORDS

LINE	BEARING	DISTANCE
L1	N 73°33'07" E	46.69'
L2	S 52°17'49" E	24.59'
L3	S 13°49'46" E	49.50'
L4	S 19°14'44" E	18.80'
L5	S 39°35'46" E	39.14'
L6	S 33°49'48" E	68.89'
L7	S 36°53'29" E	52.84'
L8	S 09°51'29" E	65.80'
L9	N 73°37'36" W	18.56'
L10	S 78°29'04" W	45.39'
L11	S 54°46'29" W	54.28'
L12	S 69°18'24" W	118.20'
L13	S 71°26'50" W	67.38'
L14	S 62°57'45" W	35.35'
L15	S 75°22'00" W	72.39'
L16	N 73°58'05" W	8.07'
L17	N 36°38'48" E	36.00'
L18	S 03°45'18" W	71.27'
L19	N 61°36'08" W	34.30'
L20	S 51°03'07" W	40.25'
L21	N 27°52'12" W	7.44'
L22	N 70°00'44" W	33.15'
L23	S 47°59'10" W	18.40'
L24	S 31°58'51" W	17.02'
L25	N 57°59'24" W	28.21'
L26	N 49°42'42" W	66.39'
L27	N 52°35'27" W	47.38'
L28	N 28°14'49" E	24.68'
L29	N 04°34'48" E	46.15'



The Subdivision Regulations of the East Hampton Planning and Zoning Commission are a part of this plan. Approval of this plan is contingent on completion of the requirements of said regulations, excepting any variances or modifications made by the Commission. Any such variances or modifications are on file in the office of the Commission.

APPROVAL BLOCK

FINAL APPROVAL _____ CHAIRMAN

DATE: _____

EXPIRATION DATE: _____

Per Section 8-26c of the Connecticut General Statutes, as amended, approval automatically expires if all physical improvements required by this plan are not completed by that date.

Approved by the East Hampton Inland Wetlands and Watercourse Agency.

FINAL APPROVAL _____ CHAIRMAN

DATE: _____

EXPIRATION DATE: _____

I AM OF THE OPINION THAT THE WETLAND BOUNDARY WHICH I MARKED ON THE PROPERTY IS SHOWN CORRECTLY ON THIS MAP.

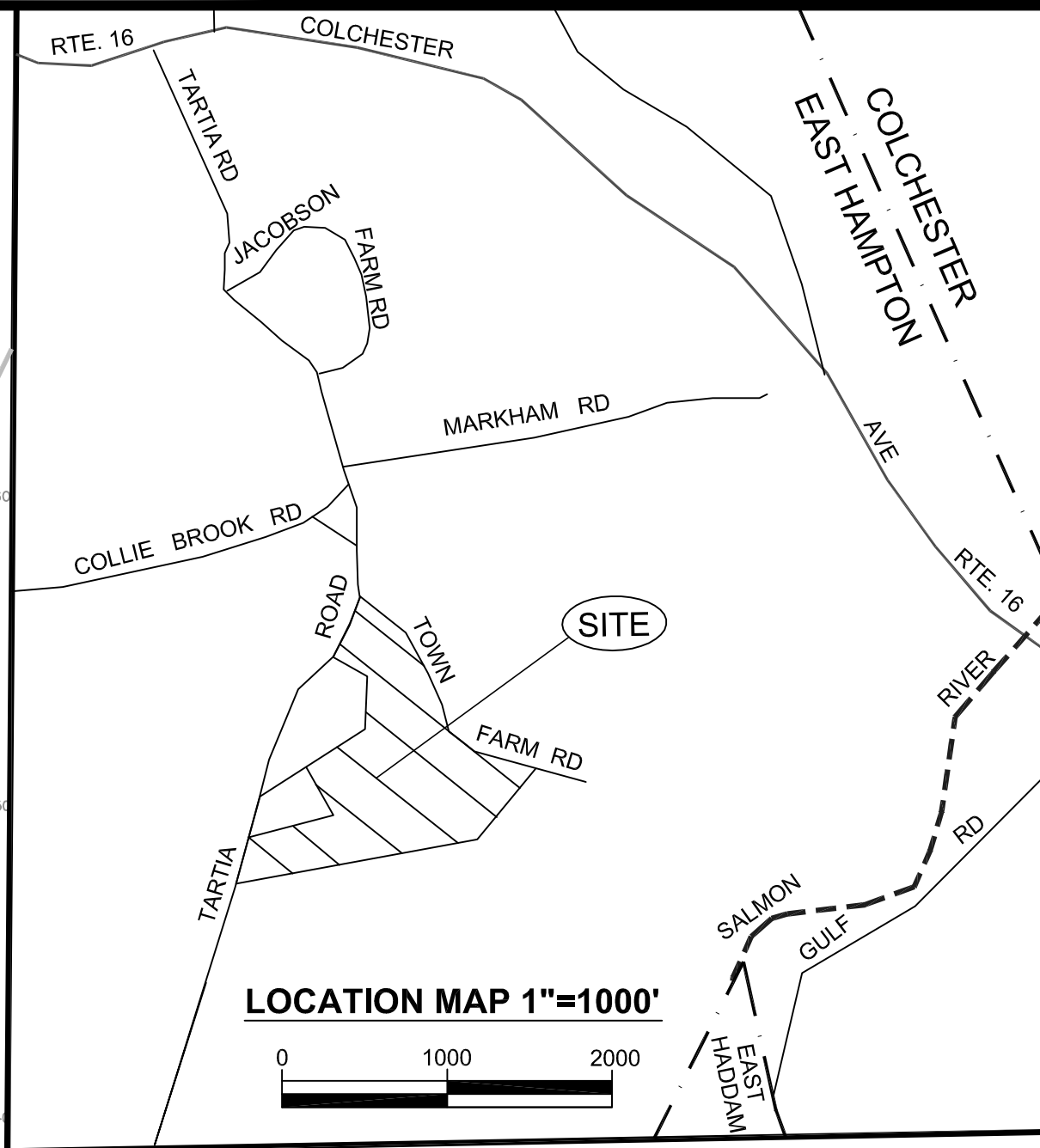
JAMES S. SIPPERLY _____ DATE _____
 SOCIETY OF SOIL SCIENTISTS OF SOUTHERN NEW ENGLAND

RECEIVED
4.28.2022
 East Hampton
 Land Use Office

Item	Zoning Compliance Chart [R-4 Zone]		
	Req. Minimum	Prop. (Lot 7-2)	Prop. (Lot 7-3)
Lot Area (S.F.)	85,000 S.F.	96,616 S.F.	742,321 S.F.
Lot Area (Acres)	1.951 Acres	2,218.0 Acres	17,041.3 Acres
Lot Depth	200'	>400'	>500'
Lot Width	150'	165.87'	>150'
Lot Frontage	100'	221.47'	1,808.31'
Front Yard	50'	>51'	>50'
Side Yard	25'	>25'	>25'
Rear Yard	50'	>50'	>50'
Lot Coverage	10.0%	<10.0%	<10.0%

Sanitary: Private
 Water: Private

JACKOWIAK LAND SURVEYING
 Robert F. Jackowiak, LS
 26 Greenlawn Road
 Middletown, Connecticut 06457
 860.346.6577
 DATE: APRIL 15, 2022
 SCALE: 1"=100'
 RECEIVED 4.28.2022
 East Hampton Land Use Office
 RECORD RESUBDIVISION MAP
 - PREPARED FOR -
 CARRIE SUE CLAUSI
 - PROPERTY KNOWN AS -
 ASSESSOR'S PARCEL: 27/54/7
 TARTIA ROAD & TOWN FARM ROAD
 EAST HAMPTON, CONNECTICUT
 To my knowledge and belief, this survey is substantially correct as noted hereon.
 Robert F. Jackowiak, LS16859
 Sheet 1 of 4



PROJECT DESCRIPTION
 THE PROJECT PROPOSES TWO SUBDIVIDE TWO BUILDING LOTS OUT OF A 18.29 ACRE PARCEL FRONTING ON TARTIA ROAD & TOWN FARM ROAD. LOTS WILL BE SERVED BY INDIVIDUAL ON-SITE WELLS AND SUBSURFACE SEWAGE DISPOSAL SYSTEMS.

MAP REFERENCE
 RECORDED RE-SUBDIVISION PREPARED FOR CARRIE SUE CLAUSI, PROPERTY KNOW AS ASSESSOR'S PARCEL 27-54-7, TARTIA ROAD & TOWN FARM ROAD, EAST HAMPTON, CONNECTICUT, SCALE: 1"=100', DATED: APRIL 15, 2022; PREPARED BY JACKOWIAK LAND SURVEYING.

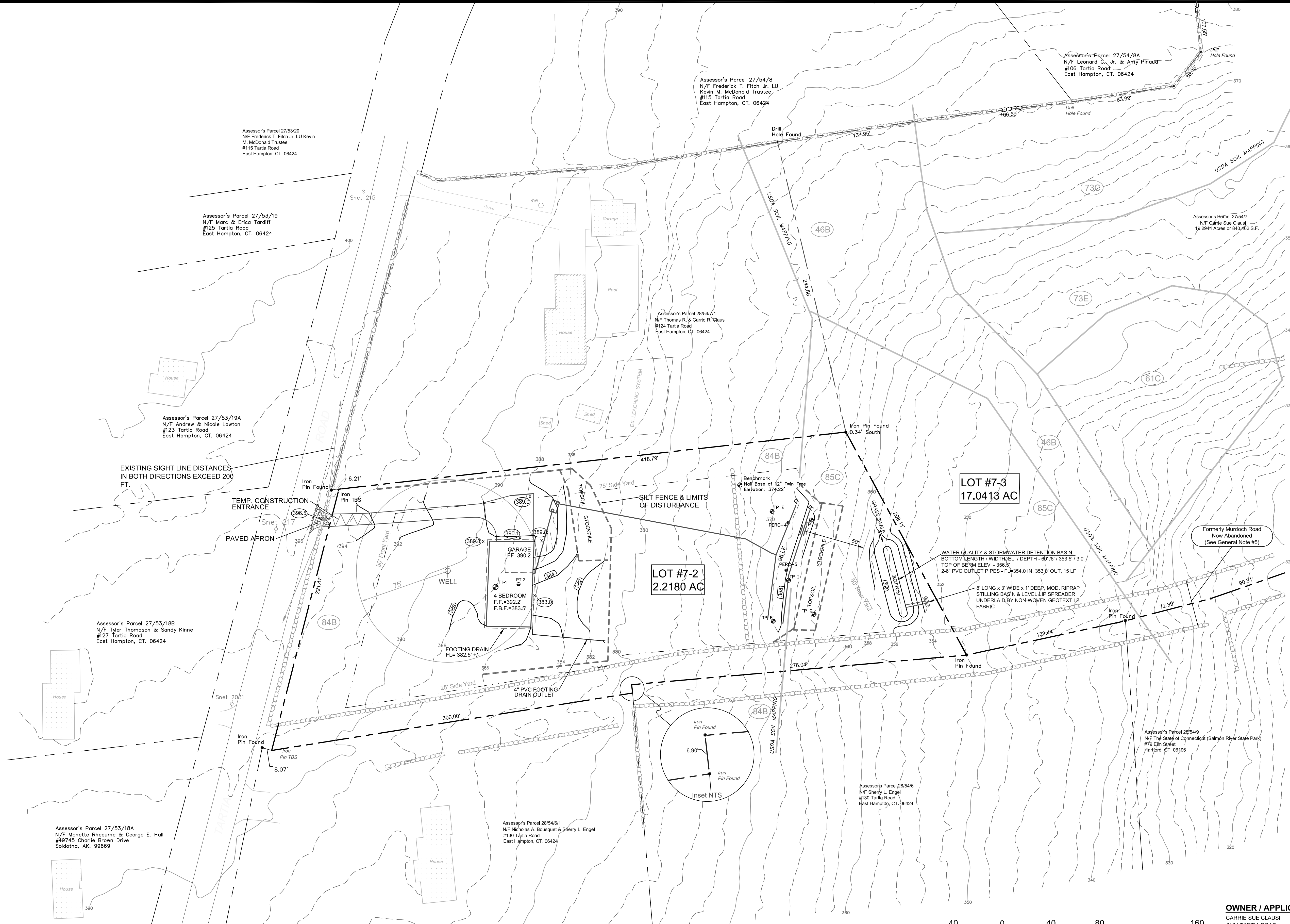
Zoning Compliance Chart - R-4 Residential		
Item	Req. Minimum	Proposed (Lot 7-2)
Lot Area (S.F.)	85,000 S.F.	2,218 Acres
Lot Area (Acres)	1.951 Acres	2.218 Acres
Lot Depth	200'	400'+
Lot Width	150'	165.87'
Lot Frontage	100'	221.47'
Front Yard	50'	—
Side Yard	25'	—
Rear Yard	50'	—
Lot Coverage	10.0%	—

Sanitary: On-Site
 Water: On-Site

BASIS OF SANITARY DESIGN
 NUMBER OF BEDROOMS - 4
 DESIGN PERCOLATION RATE - 10 MIN/INCH
 RELA - 578 SF
 USE - 98 LF OF INFLTRATOR QUICK 4 PLUS HIGH CAPACITY GALLERIES, (34"x18") @ 6.2 SF/LF = 595 SF (12 O.C.)
 M.L.S.S.
 A=29", B=32"x30"x36"=32.6" RS=29" + 32.6"= 30.8"
 HF= 28 x FF= 1.75 x PF=1.0 = 49 LF

LIST OF ABBREVIATIONS

AC	ACRE	LVC	LENGTH OF VERTICAL CURVE
"ADS"	ADVANCED DRAINAGE SYSTEMS	MH	MANHOLE
BIT.	BITUMINOUS	P.A.G.	POINT OF APPLICATION OF GRADE
BVC	BEGIN VERTICAL CURVE	P.C.P.T	POINT OF CURVATURE/TANGENT
CATV	CABLE TV	PVC	POLYVINYL CHLORIDE
C.B.	CATCH BASIN	PVMT	PAVEMENT
CL	CENTER LINE	RCP	REINFORCED CONCRETE PIPE
CMP	CORRUGATED METAL PIPE	RET.	RETAINING WALL
C.O.	CLEANOUT TO GRADE	S.F.	SQUARE FEET
CONC.	CONCRETE	ST.	STORM SEWER
CORR.	CORRUGATED	STA.	STATION
DIA.	DIAMETER	S	SANITARY SEWER
DIP	DUCTILE IRON PIPE	SWL	4" SOLID WHITE LINE
D.S.	DOWNPOUT	SYL	4" SOLID YELLOW LINE
EL.	ELEVATION	T/E/CATV	TELEPHONE / ELECTRIC / CABLE
EVC	END VERTICAL CURVE	T.F.	TOP OF FRAME
EX.	EXISTING	T.O.W.	TOP OF WALL
F.B.F.	FINISHED BASEMENT FLOOR	VCP	VITRIFIED CLAY PIPE
F.F.	FINISHED FLOOR	W	WATER
F.M.	FORCE MAIN	W.V.	WATER VALVE
FT.	FEET (')	(N)	NORTH
FL.	FLOW LINE	(S)	SOUTH
G	GAS	(E)	EAST
HDPE	HIGH DENSITY POLYETHYLENE	(W)	WEST
HYD.	HYDRANT		
IN.	INCHES (")		
INV.	INVERT		



EXISTING SIGHT LINE DISTANCES IN BOTH DIRECTIONS EXCEED 200 FT.

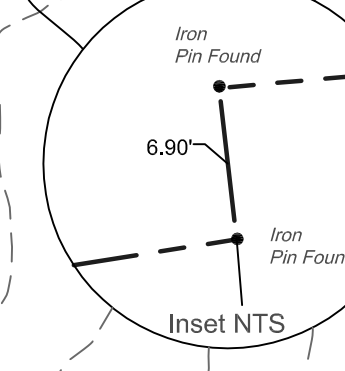
TEMP. CONSTRUCTION ENTRANCE

PAVED APRON

LOT #7-2
2.2180 AC

LOT #7-3
17.0413 AC

WATER QUALITY & STORMWATER DETENTION BASIN
 BOTTOM LENGTH / WIDTH / EL. / DEPTH - 60' / 6' / 353.5' / 3.0'
 TOP OF BERM ELEV. = 356.5'
 2-6" PVC OUTLET PIPES - FL=354.0 IN, 353.0' OUT, 15 LF
 8' LONG x 3' WIDE x 1' DEEP, MOD. RIPRAP STILLING BASIN & LEVEL LIP SPREADER UNDERLAIN BY NON-WOVEN GEOTEXTILE FABRIC.



OWNER / APPLICANT
 CARRIE SUE CLAUSI
 #124 TARTIA ROAD
 EAST HAMPTON, CT 06424

ASSESSOR'S PARCEL: 27 / 54 / 7

APPROVED BY THE EAST HAMPTON PLANNING AND ZONING COMMISSION

CONDITIONAL APPROVAL _____ CHAIRMAN / SECRETARY

DATE: _____

EXPIRATION DATE: _____

FINAL APPROVAL _____ CHAIRMAN / SECRETARY

DATE: _____

EXPIRATION DATE: _____

Per Section 8-26c of the Connecticut General Statutes, as amended, approval automatically expires _____ if all physical public improvements required by this plan are not completed by that date.

The Subdivision Regulations of the East Hampton Planning and Zoning Commission are a part of this plan. Approval of this plan is contingent on completion of the requirements of said regulations, excepting any variances or modifications made by the Commission. Any such variances or modifications are on file in the office of the Commission.

"I hereby certify that this plan is in compliance with the Town of East Hampton Soil Erosion and Sedimentation Control Regulations and the Connecticut Guidelines for Soil Erosion and Sedimentation Control dated 2002, as amended."

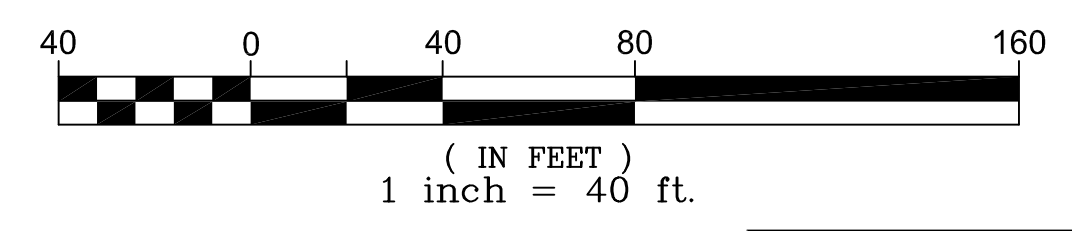
F.P.E. No. 11,699
 FRANK C. MAGNOTTA, P.E.

The Planning and Zoning Commission of East Hampton, Connecticut certifies that the Soil Erosion and Sedimentation Control Plan complies with the requirements of the Town of Portland Regulations and the Connecticut Guidelines for Soil Erosion and Sedimentation Control dated 2002, as amended.

Signature _____
 (Commission Chairman)

Date of Approval _____

EXISTING	LEGEND	PROPOSED
	SPOT ELEVATION	
	TREE LINE	
	TEST HOLE	
	PERCOLATION TEST	



REVISIONS

NO.	DESCRIPTION	BY	DATE
1	ADD STORMWATER BASIN	FM	4-26-22

VALID ONLY WITH LIVE SEAL AND SIGNATURE

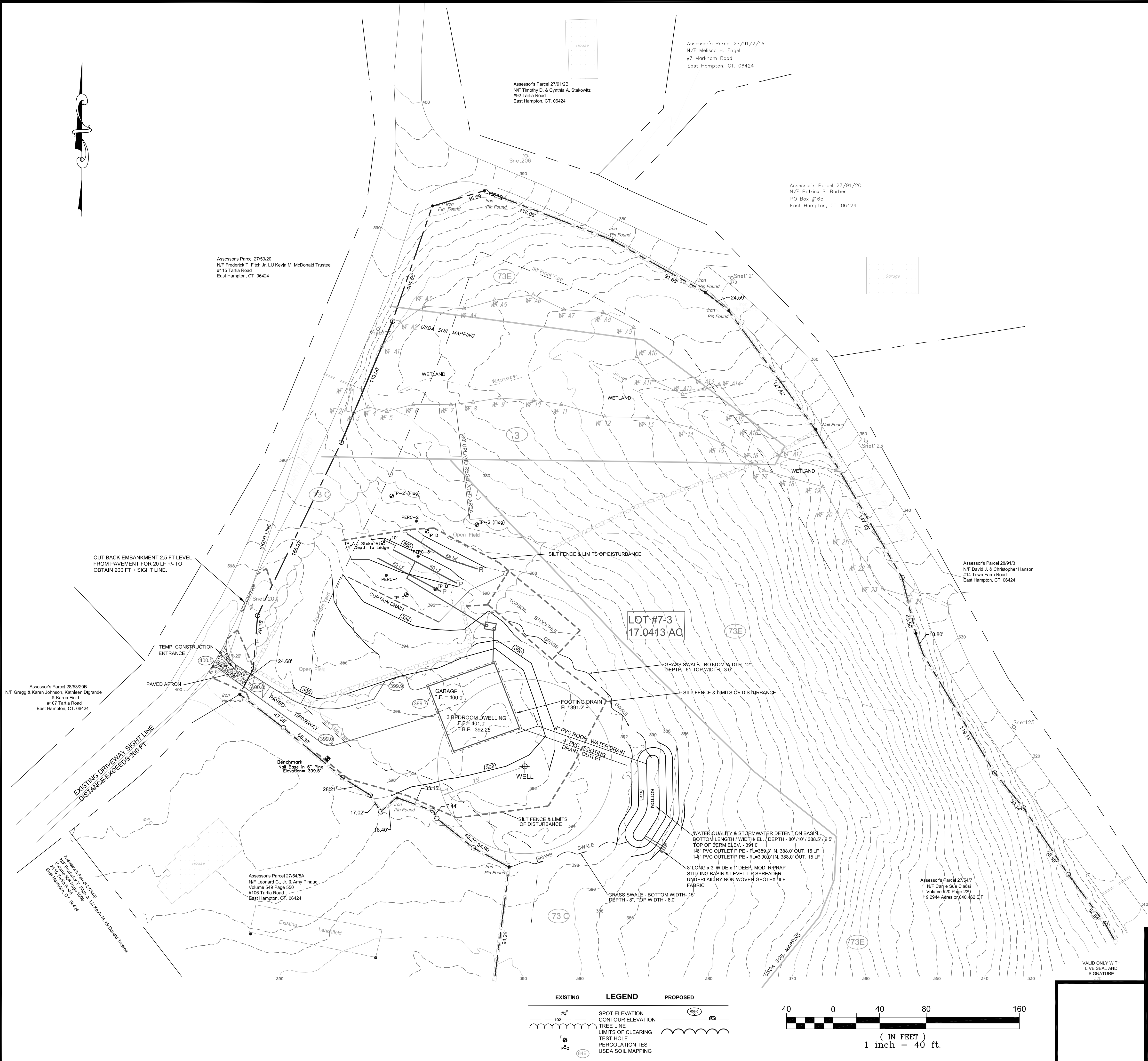
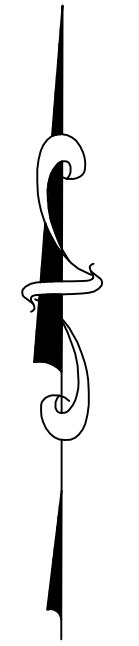
RE-SUBDIVISION PROPERTY OF
CARRIE SUE CLAUSI
 TARTIA ROAD & TOWN FARM ROAD
 EAST HAMPTON, CT.

LOT 7-2
 SITE DEVELOPMENT
 &
 EROSION CONTROL PLAN

Date: APRIL 19, 2022
 Scale: 1" = 40'

Project No. _____
 Sheet No. 2 of 4

FRANK C. MAGNOTTA, P.E. PC
 CONSULTING ENGINEER
 FrankCmagnottaPE@aol.com
 395 MAIN STREET, PORTLAND, CT 06480
 TEL. 860-342-2191



Zoning Compliance Chart - R-4 Residential		
Item	Req. Minimum	Proposed (Lot 7-3)
Lot Area (S.F.)	85,000 S.F.	S.F.
Lot Area (Acres)	1.951 Acres	17.0413 Acres
Lot Depth	200'	500' +
Lot Width	150'	150' +
Lot Frontage	100'	1,808.31'
Front Yard	50'	---
Side Yard	25'	---
Rear Yard	50'	---
Lot Coverage	10.0%	---

BASIS OF SANITARY DESIGN
 NUMBER OF BEDROOMS - 3
 DESIGN PERCOLATION RATE - 13 MIN/INCH
 REL - 675 SF
 USE - PRIMARY = TWO - 60 LF TRENCHES OF TWIN 34" x 12" INFILTRATOR GALLERIES @ 5.9 SFL/F = 709 SF
 RESERVE = 68 LF OF GEOMATRIX "6212" TRENCH @ 10.0 SFL/F = 680 SF

M.L.S.S.
 $A = \frac{31" + 56"}{2} = 43.5"$ $B = \frac{45" + 36" + 13"}{2} = 31.3"$ $RS = \frac{43.5" + 31.3"}{2} = 37.4"$ SLOPE = 10.0%
 $HF = 20 \times FF = 1.5 \times FF = 1.25 = 38 LF$

The Subdivision Regulations of the East Hampton Planning and Zoning Commission are a part of this plan. Approval of this plan is contingent on completion of the requirements of said regulations, excepting any variances or modifications made by the Commission. Any such variances or modifications are on file in the office of the Commission.

APPROVED BY THE EAST HAMPTON PLANNING AND ZONING COMMISSION

CONDITIONAL APPROVAL _____ CHAIRMAN / SECRETARY

DATE: _____
 EXPIRATION DATE: _____

FINAL APPROVAL _____ CHAIRMAN / SECRETARY

DATE: _____
 EXPIRATION DATE: _____

Per Section 8-26c of the Connecticut General Statutes, as amended, approval automatically expires _____ if all physical public improvements required by this plan are not completed by that date.

The Planning and Zoning Commission of East Hampton, Connecticut certifies that the Soil Erosion and Sedimentation Control Plan complies with the requirements of the Town of East Hampton Soil Erosion and Sedimentation Control Regulations and the Connecticut Guidelines for Soil Erosion and Sedimentation Control dated 2002, as amended.

"I hereby certify that this plan is in compliance with the Town of East Hampton Soil Erosion and Sedimentation Control Regulations and the Connecticut Guidelines for Soil Erosion and Sedimentation Control dated 2002, as amended."

Signature _____ P.E. No. 11,699
 (Commission Chairman) FRANK C. MAGNOTTA, P.E.

Date of Approval _____

OWNER / APPLICANT
 CARRIE SUE CLAUSI
 #124 TARTIA ROAD
 EAST HAMPTON, CT 06424

ASSESSOR'S PARCEL: 27 / 54 / 7

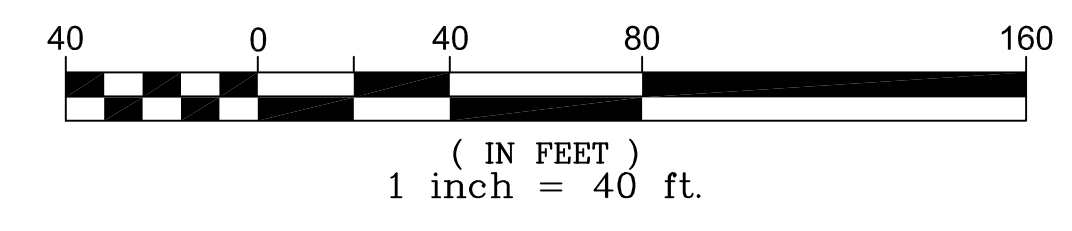
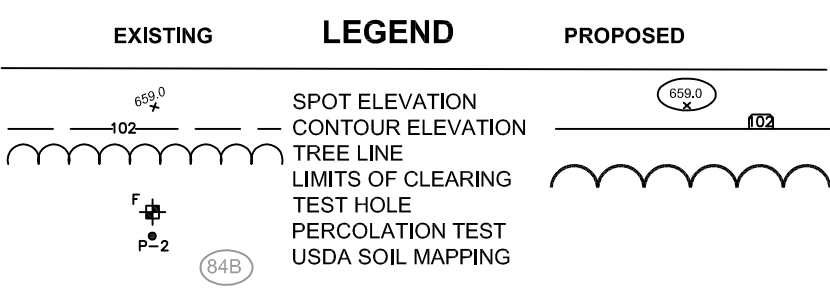
SUBDIVISION PROPERTY OF
CARRIE SUE CLAUSI
 TARTIA ROAD & TOWN FARM ROAD
 EAST HAMPTON, CT.

REVISIONS			
NO.	DESCRIPTION	BY	DATE
1	ADD STORMWATER BASIN	FM	4-26-22
2	CHG COMMENTS, ADDED WETLAND FLAGS ON LOT 7-3	FM	5-18-22

Date: APRIL 19, 2022
 Scale: 1" = 40'

Project No. _____
 Sheet No. 3 of 4

FRANK C. MAGNOTTA, P.E. PC
 CONSULTING ENGINEER
 FrankCMagnottaPE@aol.com
 395 MAIN STREET, PORTLAND, CT 06480
 TEL. 860-342-2191



VALID ONLY WITH LIVE SEAL AND SIGNATURE

LOT 7-2

FORM #2 Chatham Health District State of Connecticut Department of Public Health 1/1/11

SITE INVESTIGATION FOR A SEWAGE DISPOSAL SYSTEM

Property Owner: CARRIE SUE CLAUSI 124 Tartia Road East Hampton, CT 06424 Location: Map 27 Block 54 Lot 7 Tartia Road East Hampton

DEEP TEST PIT DATA/SOIL DESCRIPTIONS

Table with 4 columns: TEST PIT: 'E', TEST PIT: 'F', TEST PIT: 'G', TEST PIT: 'H'. Rows include soil descriptions like '0"-7" Topsoil', '7"-26" Brown loamy sand', and mottles/leaves data.

COMMENTS: Groundwater Table: (Near max, below max, etc.): Below max Soil Moisture (High, medium, low, etc.): Medium

DEEP TEST PIT DATA/SOIL DESCRIPTIONS

Table with 4 columns: TEST PIT: 'I', TEST PIT: 'J', TEST PIT: 'K', TEST PIT: 'L'. Rows include soil descriptions like '0"-6" Topsoil', '6"-31" Red brown loamy sand', and mottles/leaves data.

PERCOLATION TESTS - LOT 7-2

Table with 3 columns: TIME, READING, RATE. Rows show data for depths from 0:00 to 1:30.

PERCOLATION TESTS - LOT 7-3

Table with 3 columns: TIME, READING, RATE. Rows show data for depths from 0:00 to 1:10.

The Subdivision Regulations of the East Hampton Planning and Zoning Commission are a part of this plan. Approval of this plan is contingent on completion of the requirements of said regulations, excepting any variances or modifications made by the Commission.

APPROVED BY THE EAST HAMPTON PLANNING AND ZONING COMMISSION

CHAIRMAN / SECRETARY

DATE: EXPIRATION DATE:

CHAIRMAN / SECRETARY

DATE: EXPIRATION DATE:

Per Section 8-26c of the Connecticut General Statutes, as amended, approval automatically expires if all physical public improvements required by this plan are not completed by that date.

LOT 7-3

FORM #2 Continued State of Connecticut Department of Public Health 1/1/11

SITE INVESTIGATION FOR A SEWAGE DISPOSAL SYSTEM

DEEP TEST PIT DATA/SOIL DESCRIPTIONS

DATE: February 17, 2022 (Record all Test Pits)

Table with 4 columns: TEST PIT: 'A', TEST PIT: 'B', TEST PIT: 'C', TEST PIT: 'D'. Rows include soil descriptions like '0"-8" Topsoil', '8"-26" Brown loamy sand', and mottles/leaves data.

COMMENTS: The proposed leaching system shall be 10' or greater from the West end of Test Pit 'A'. Groundwater Table: (Near max, below max, etc.): Below max Soil Moisture (High, medium, low, etc.): Low

PERCOLATION TEST DATA

Table with 8 columns: PERC, DEPTH, PRESOAK, TIME, READING. Rows show data for depths from 0:00 to 4:01PM.

Comments: To be conducted by P.E. in the Primary and Reserve Leaching Areas of both proposed lots.

Form #2 Chatham Health District State of Connecticut Department of Public Health 1/1/11

SITE INVESTIGATION FOR A SUBSURFACE SEWAGE DISPOSAL SYSTEM

Application/Permit #: Property Owner: Carrie Clausi Location: Tartia Rd Lot 7, East Hampton

DEEP TEST PIT DATA/SOIL DESCRIPTIONS

DATE: May 18, 2016 (Record all Test Pits)

Table with 4 columns: TEST PIT: 1, TEST PIT: 2, TEST PIT: 3, TEST PIT: 4. Rows include soil descriptions like '0-8" Topsoil', '8-26" Red brown coarse sandy loam', and mottles/leaves data.

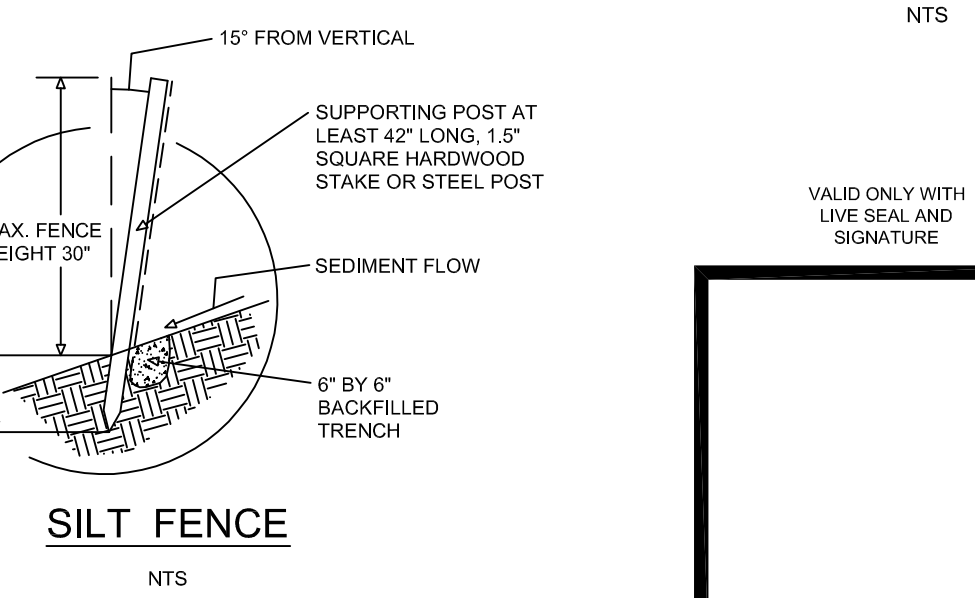
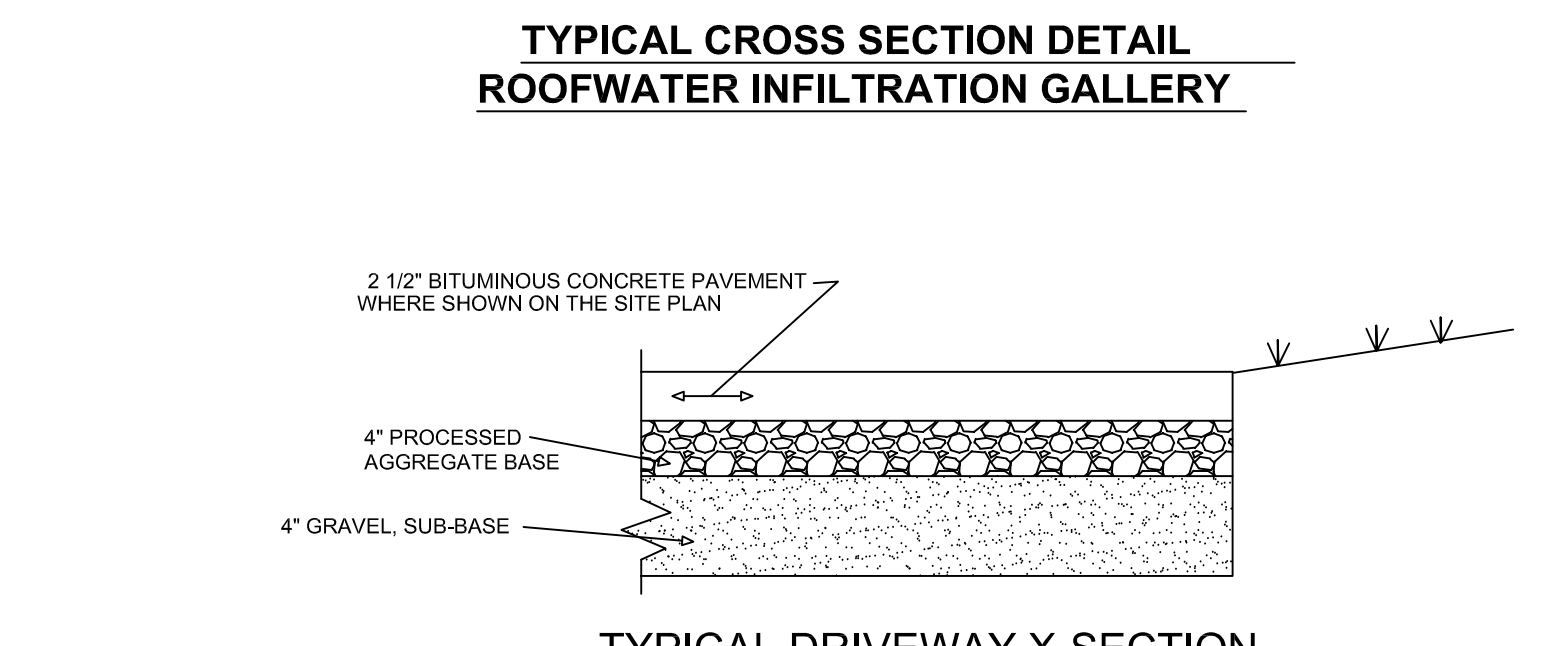
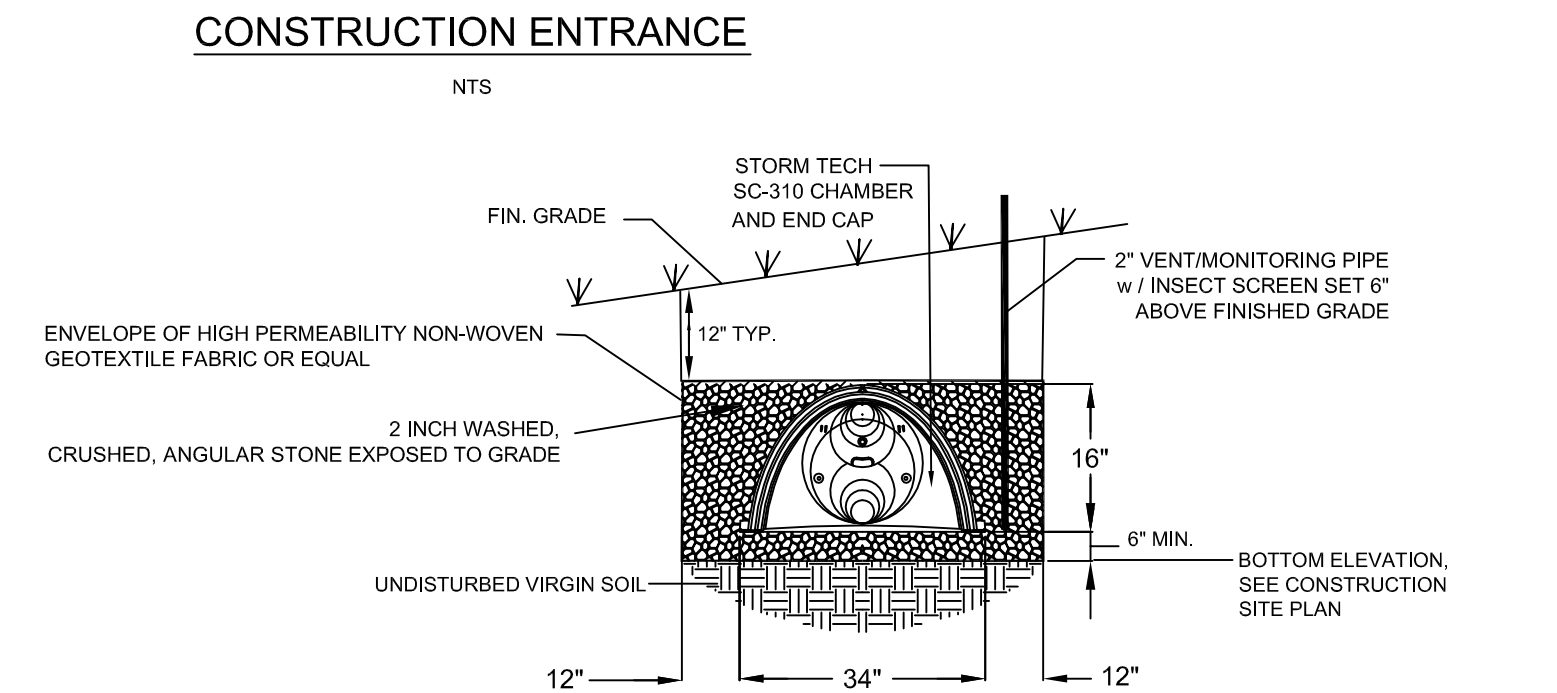
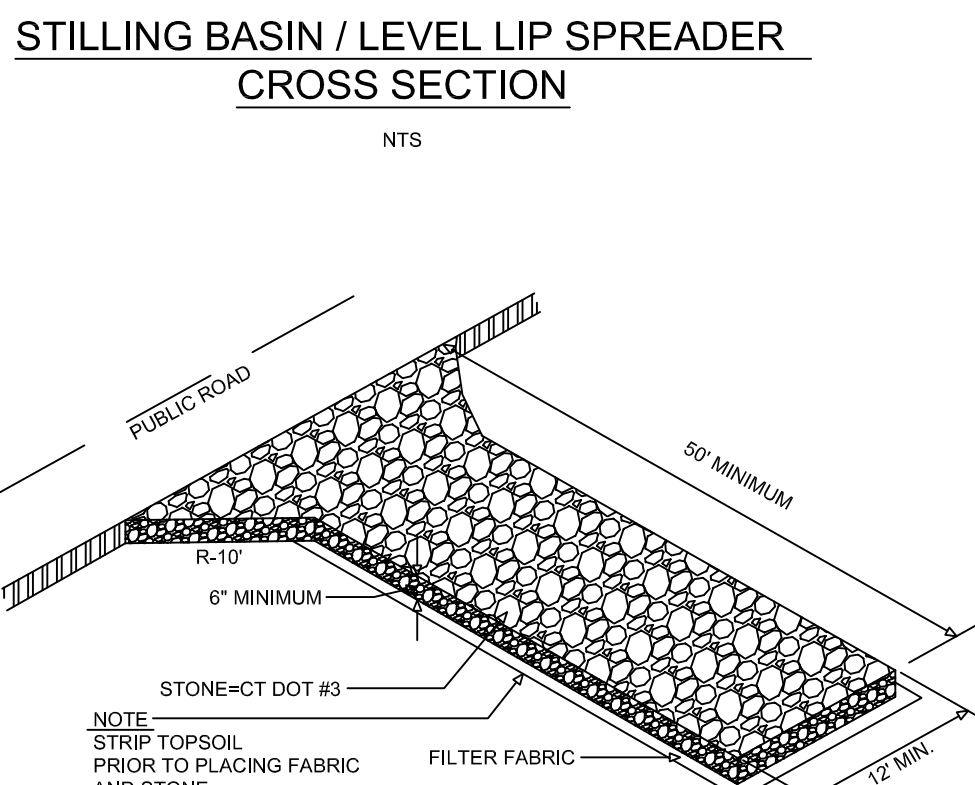
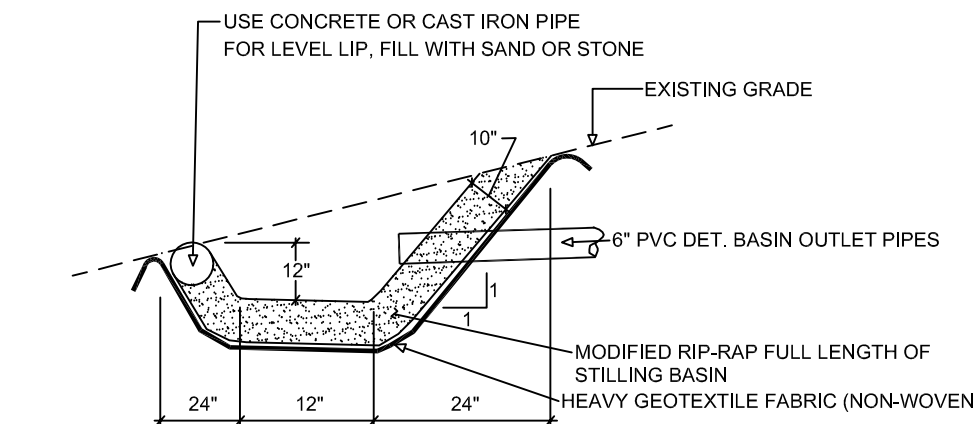
Table with 4 columns: TEST PIT: 5, TEST PIT: 6, TEST PIT: 7, TEST PIT: 8. Rows include soil descriptions like '0-6" Topsoil', '6-24" Orange brown coarse sandy loam', and mottles/leaves data.

COMMENTS: Note: pockets of fragmented broken ledge in test pits 2, 3, & 4. Where necessary, decomposed rock shall be either removed and replaced with two feet of sand, or keep bottom of leaching structure two feet above non-typical ledge rock. 12" separation above compact layer required.

LOT 7-3

DATE: 6/2/2016 PERCOLATION TEST DATA (Record all Perc Tests)

Table with 8 columns: PERC, DEPTH, PRESOAK, TIME, READING. Rows show data for depths from 3:08PM to 4:01PM.



- SITE DEVELOPMENT NOTES: FOR LOCATIONS OF ALL UNDERGROUND UTILITIES INQUIRE AT THE APPROPRIATE UTILITY AND CALL BEFORE YOU DIG. AT 1-800-922-4455. ALL PROPOSED EXTERIOR LIGHT FIXTURES SHALL BE SHIELDED TO CREATE DOWN LIGHTING ONLY. A CASH PERFORMANCE BOND FOR EROSION & SEDIMENT CONTROL MEASURES SHOULD BE POSTED FOR THE SUBDIVISION. DRIVEWAYS SHALL HAVE A MINIMUM CURB RADIUS OF 5 FEET AT THE ROAD AND A MAXIMUM GRADE OF 12 PERCENT. ALL DRIVEWAY GRADINGS THAT EQUAL OR EXCEED 10 PERCENT SHALL BE PAVED WITH COMPACTED BITUMINOUS ASPHALT UNDERLAIN BY COMPACTED GRAVEL/PROCESSED STONE OR COMBINATION THEREOF.

SEQUENCE OF CONSTRUCTION - HOUSE / SEPTIC / DRIVEWAY TYPICAL CONSTRUCTION SCHEDULE

Table with 3 columns: START, COMPLETION. Rows show construction milestones from APRIL 1st to NOVEMBER 15th.

EROSION & SEDIMENTATION CONTROL NOTES

- PRIOR TO THE START OF CONSTRUCTION, HAY BALES AND/OR SILT FENCES SHOWN ON THIS DRAWING SHALL BE INSTALLED IN ACCORDANCE WITH STANDARDS OUTLINED IN "CONNECTICUT GUIDELINES FOR SOIL EROSION AND SEDIMENT CONTROL, 2002" AND THIS SITE PLAN. AT THE REQUEST OF THE TOWN ENGINEER OR ZONING ENFORCEMENT OFFICER, ADDITIONAL SEDIMENT AND EROSION CONTROL MEASURES SHALL BE INSTALLED TO ADDRESS FIELD CONDITIONS.

OWNER / APPLICANT: CARRIE SUE CLAUSI #124 TARTIA ROAD EAST HAMPTON, CT 06424 ASSESSOR'S PARCEL: 27 / 54 / 7

REVISIONS table with columns: NO., DESCRIPTION, BY, DATE.

SOIL TEST DATA & NOTES / DETAILS

Project No. Sheet No. 4 of 4

FRANK C. MAGNOTTA, P.E. PC CONSULTING ENGINEER FrankCMagnottaPE@aol.com 395 MAIN STREET, PORTLAND, CT 06480 TEL. 860-342-2191