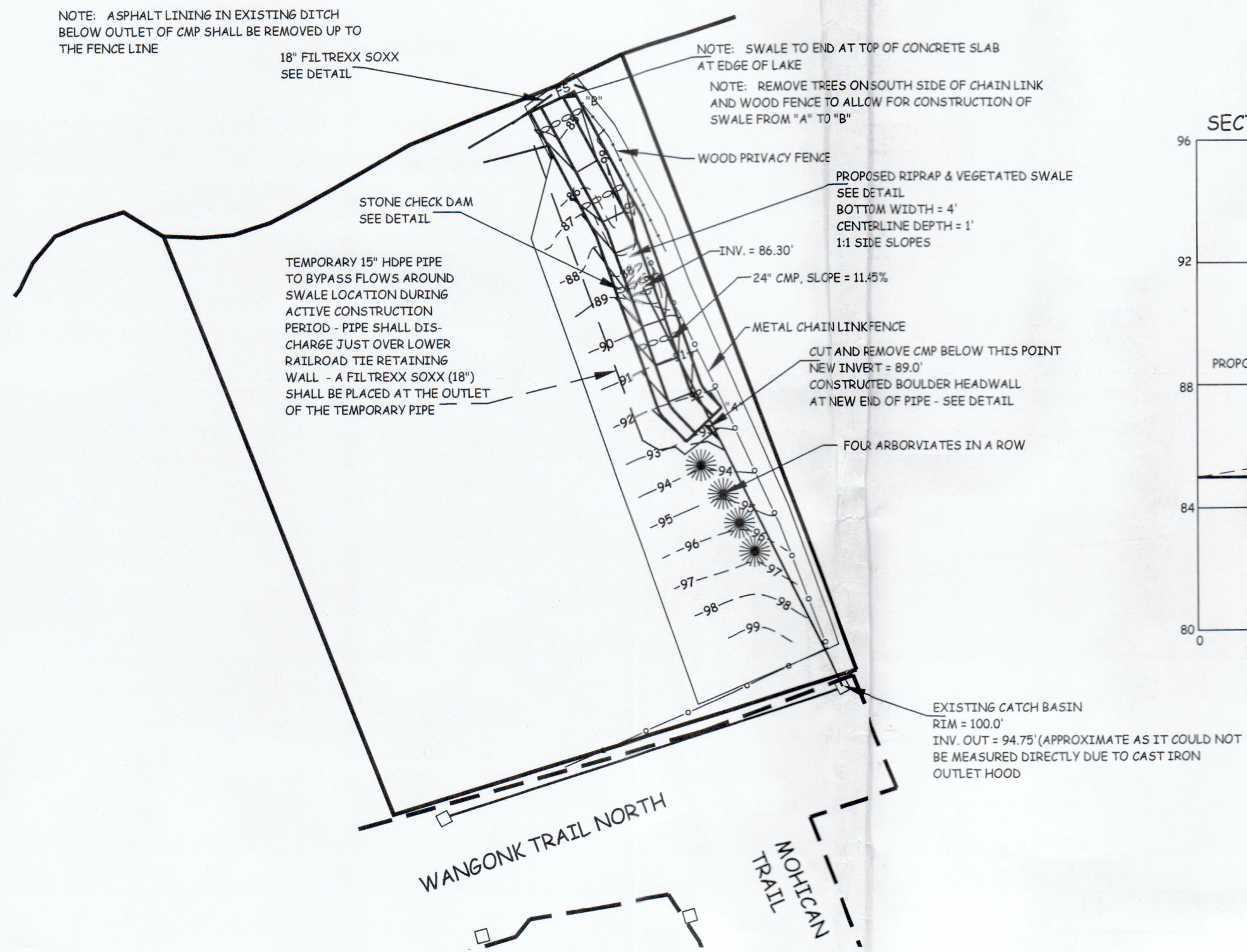
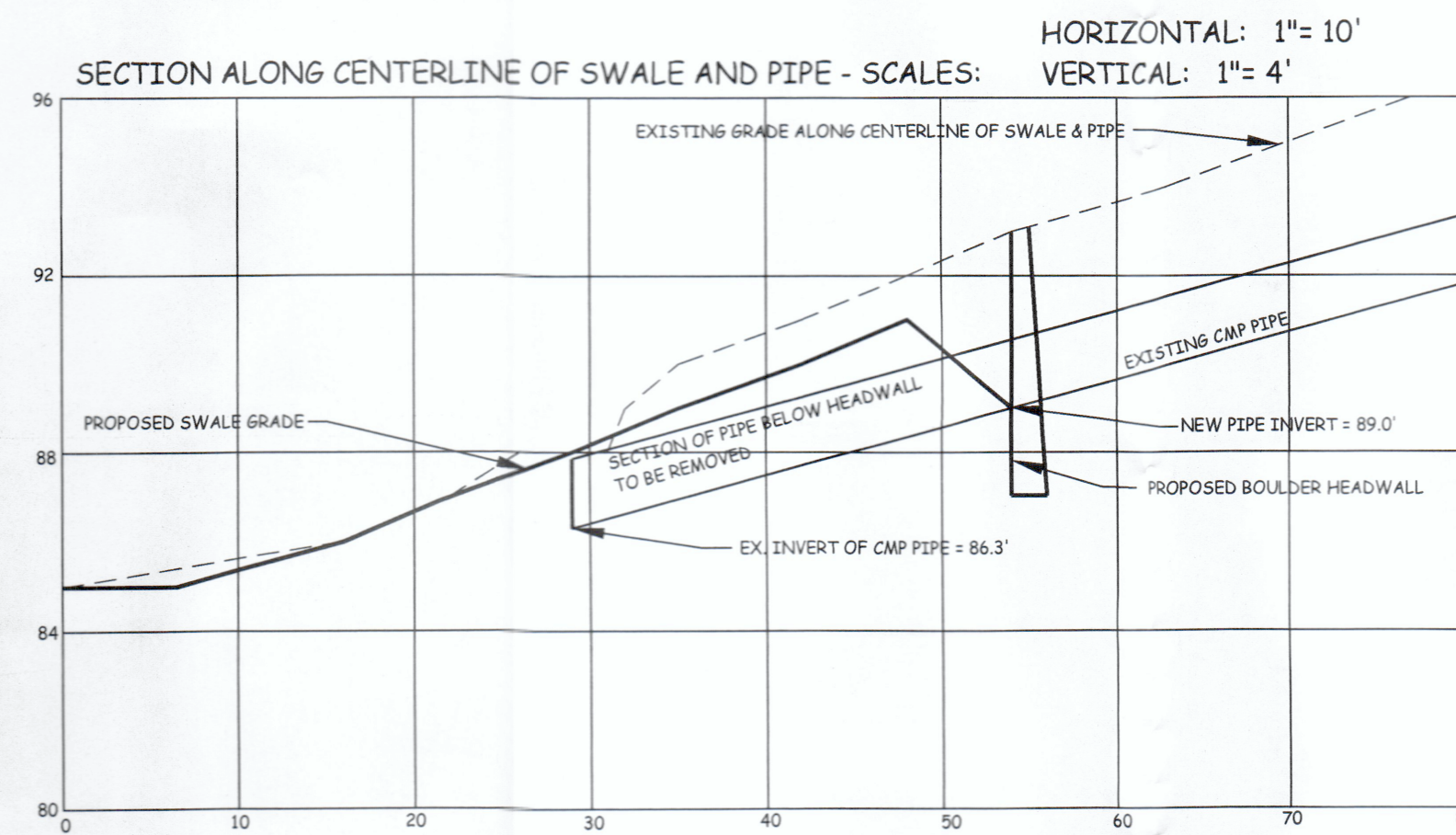


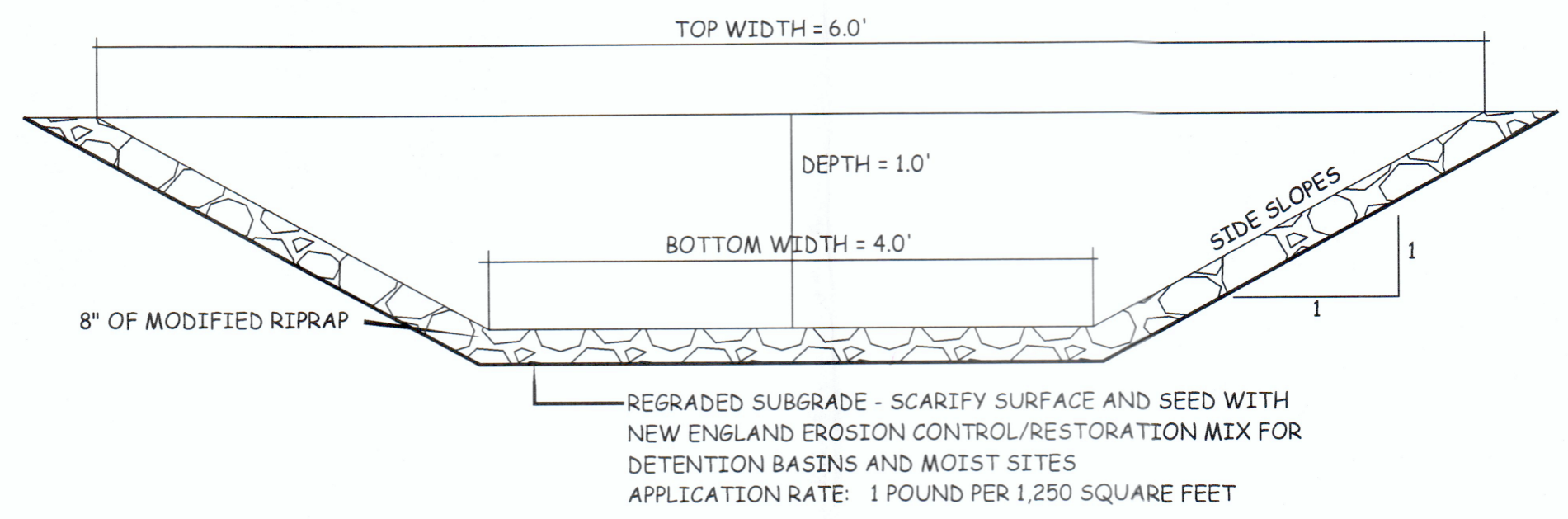
NOTE: APPROXIMATE 31,000 SQUARE FEET OF PAVEMENT WILL BE TREATED BY THE WET SWALE RETROFIT.



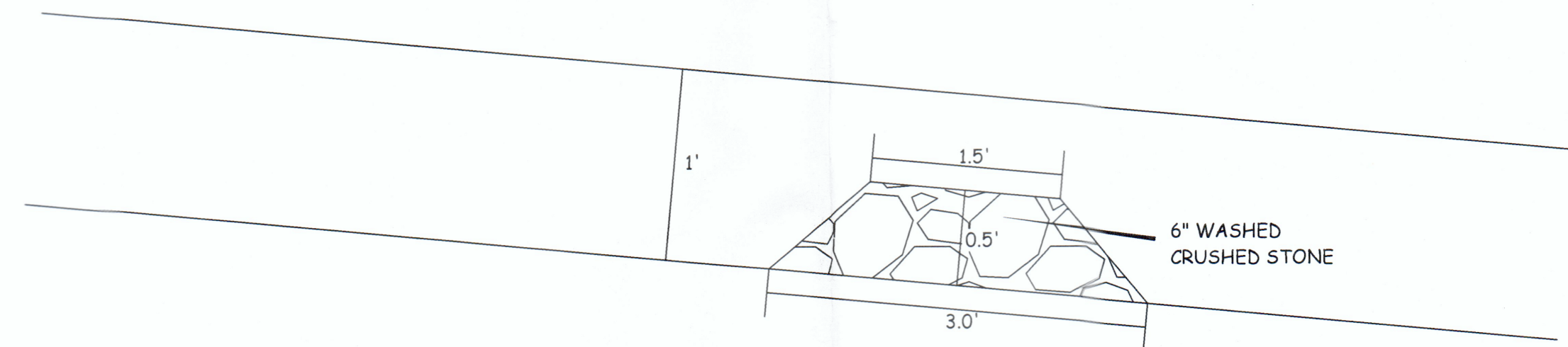
NOTE: THE UPSLOPE JUST AFTER THE END OF THE PIPE WILL CREATE A SLIGHT BACKWATER CONDITION IN THE PIPE WHICH WILL NOT AFFECT THE HYDRAULIC CAPACITY OF THE PIPE. IT WILL ALSO HAVE THE EFFECT OF SIGNIFICANTLY REDUCING OUTLET VELOCITIES FROM THE PIPE.



NOTE: VEGETATION WILL GROW UP THROUGH RIPRAP TO WHICH WILL SOFTEN THE PRESENCE OF RIPRAP. THE VEGETATION WILL ALSO IMPROVE THE WATER QUALITY TREATMENT OF THE RUNOFF



TYPICAL CROSS SECTION OF RIPRAP/VEGETATED SWALE NOT TO SCALE



CROSS SECTION OF STONE CHECK DAM IN SWALE NOT TO SCALE

- New England Erosion Control/Restoration Mix For Detention Basins and Moist Sites
 820 WEST STREET, AMHERST, MA 01002
 PHONE: 413-548-8000 FAX 413-549-4000
 EMAIL: INFO@NEWP.COM WEB ADDRESS: WWW.NEWP.COM
 Elymus riparius Riverbank Wild Rye FACW
 Schizachyrium scoparium Little Bluestem FACU
 Festuca rubra Red Fescue FACU
 Andropogon gerardii Big Bluestem FAC
 Panicum virgatum Switch Grass FAC
 Vernonia noveboracensis New York Ironweed FACW+
 Agrostis perennans Upland Bentgrass FACU
 Bidens frondosa Beggar Ticks FACW
 Eupatorium maculatum (Eutrochium maculatum) Spotted Joe Pye Weed OBL
 Eupatorium perfoliatum Boneset FACW
 Aster novae-angliae (Symphyotrichum novae-anglia New England Aster FACW) Scirpus cyperinus Wool Grass FACW
 Juncus effusus Soft Rush FACW+

The New England Erosion Control/Restoration Mix for Detention Basins and Moist Sites contains a selection of native grasses and wildflowers designed to colonize generally moist, recently disturbed sites where quick growth of vegetation is desired to stabilize the soil surface. It is an appropriate seed mix for ecologically sensitive restorations that require stabilization as well as long-term establishment of native vegetation. This mix is particularly appropriate for detention basins that do not hold standing water. Many of the plants in this mix can tolerate infrequent inundation, but not constant flooding. The mix may be applied by hand, by mechanical spreader, or by hydroseeder. After sowing, lightly rake, roll or cultipack to insure good seed-to-soil contact. Best results are obtained with a Spring or late Summer seeding. Late Fall and Winter dormant seeding requires an increase in the application rate. A light mulching of clean, weed-free straw is recommended

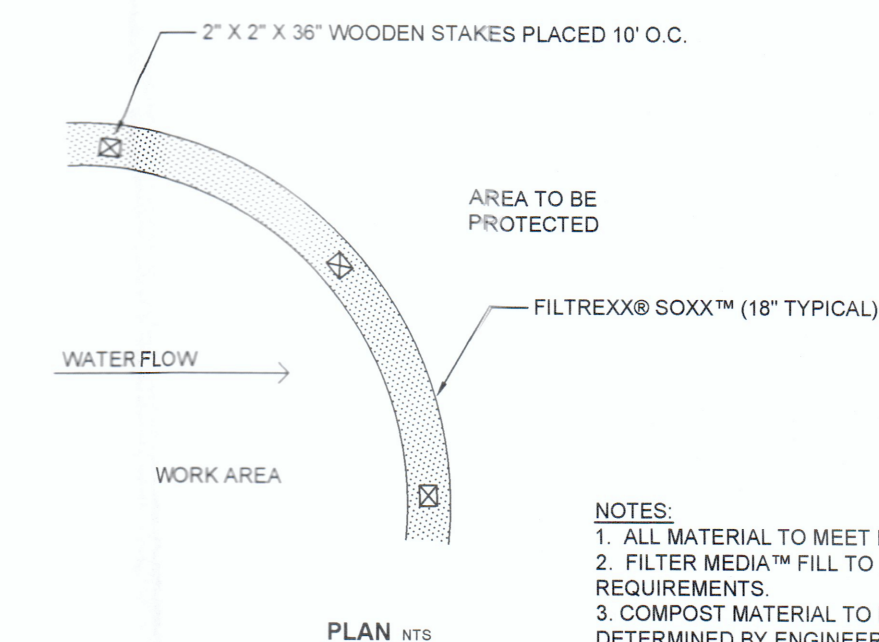
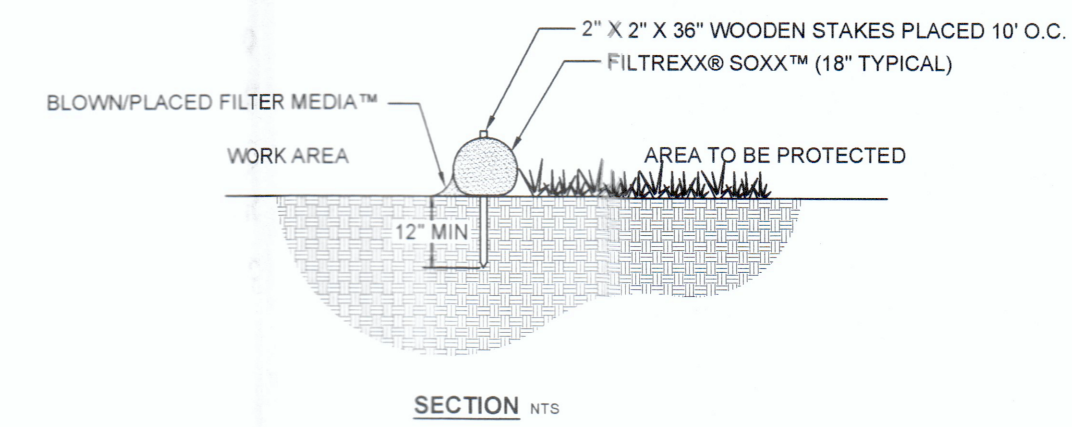
CONSTRUCTION SEQUENCE:

1. REMOVE TREES AND BRUSH ON SOUTH SIDE OF CHAIN LINK AND/OR WOOD FENCE FROM POINT "A" TO POINT "B".
2. INSTALL 18" FILTREXX SOXX AT BOTTOM OF EXISTING DITCH JUST ABOVE CONCRETE SLAB AND IN ACCORD WITH DETAIL SHOWN ON THIS PLAN.
3. UNCOVER EXISTING DRAINAGE PIPE FROM INVERT TO POINT WHERE IT SHALL BE CUT. CUT EXISTING CMP AND REMOVE WESTERN PORTION OF THE CMP.
4. INSTALL TEMPORARY BY-PASS PIPE AS SHOWN ON THE PLAN SO THAT SWALE WORK CAN BE DONE IN DRY ENVIRONMENT.
5. CONSTRUCT BOLDER HEADWALL AT NEW END OF PIPE IN ACCORDANCE WITH DETAIL SHOWN ON THIS PLAN.
6. INSTALL RIPRAP/VEGETATED SWALE PER THE CROSS SECTION ON THIS PLAN. REMOVE ASPHALT FROM EXISTING DITCH, AS WELL AS ROOTS OR LARGE STONES. AFTER SWALE HAS BEEN GRADED TO REQUIRED SUBGRADE, SCARIFY GROUND SURFACE WITH GARDEN RAKE, THEN SEED WITH SEED MIXTURE SHOWN ON THIS PLAN.
7. INSTALL MODIFIED RIPRAP USING HYDRAULIC EXCAVATOR AND HAND PLACEMENT. USE EXCAVATOR TO PUSH STONES INTO GROUND SURFACE.
8. INSTALL STONE CHECK DAMS PER THE PLAN AND DETAIL.
9. THE SEED MIXTURE SHALL BE WATERED AT THIS TIME TO HELP WITH GERMINATION. THE FILTREXX SOXX SHALL REMAIN IN PLACE UNTIL VEGETATION BECOMES ESTABLISHED WITHIN THE SWALE.

MAINTENANCE REQUIREMENTS:

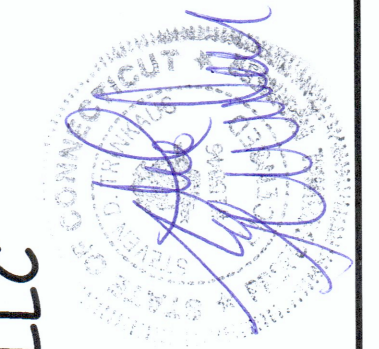
1. MAINTAIN HEIGHT OF VEGETATION WITHIN RIPRAP SWALE AT 12" TO 18". WEED WACK AS NECESSARY TO MAINTAIN THIS HEIGHT.
2. CUT ALL VEGETATION BACK WITHIN SWALE TO HEIGHT OF 6" ABOVE THE STONE SURFACE AT THE END OF THE NOVEMBER. RAKE CUTTINGS OUT OF SWALE AND PLACE IN ADJACENT UPLAND AREA TO DECOMPOSE.

NOTE: EXISTING TOPOGRAPHIC INFORMATION AND LOCATION OF EXISTING DRAINAGE SYSTEM WAS LOCATED IN THE FIELD BY RKW LAND SURVEYING.
 NOTE: APPROXIMATE PROPERTY LINES & TRAVEL WAY TAKEN FROM TOWN OF EAST HAMPTON GIS SYSTEM AND ARE SUBJECT TO FIELD VERIFICATION



- NOTES:
 1. ALL MATERIAL TO MEET FILTREXX® SPECIFICATIONS.
 2. FILTER MEDIA™ FILL TO MEET APPLICATION REQUIREMENTS.
 3. COMPOST MATERIAL TO BE DISPERSED ON SITE, AS DETERMINED BY ENGINEER.

FILTREXX® SEDIMENT CONTROL
 NTS



TRINKA.US ENGINEERING, LLC
 CIVIL ENGINEERS
 114 HUNTERS RIDGE ROAD
 SOUTHURY, CONNECTICUT 06488
 203-264-4958 (phone & fax)
 Email: strinka.us@earthlink.net
 Website: http://www.trinka.usengineering.com



STORMWATER RETROFIT

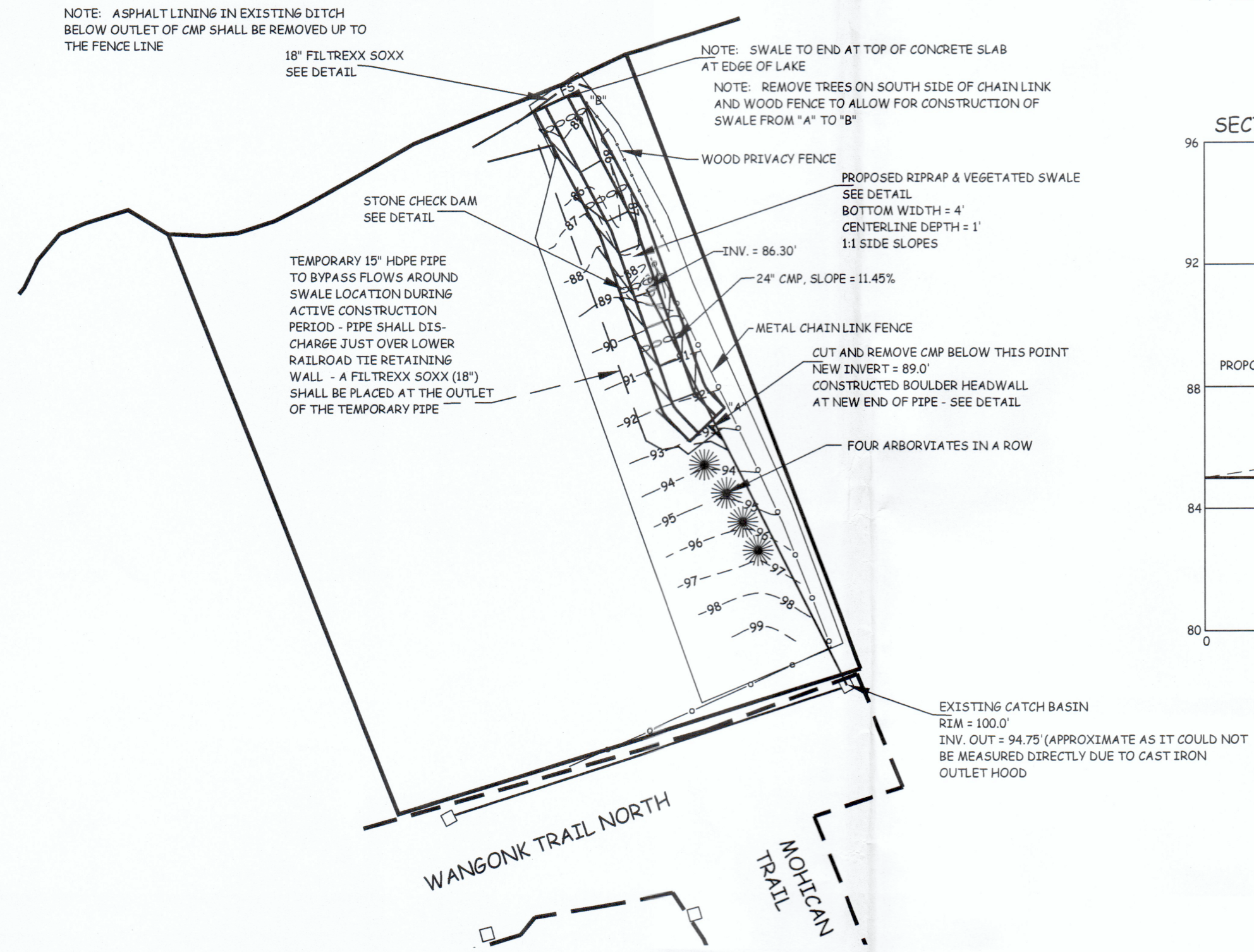
PROJECT #033-2019

SCALE: 1"= 20'

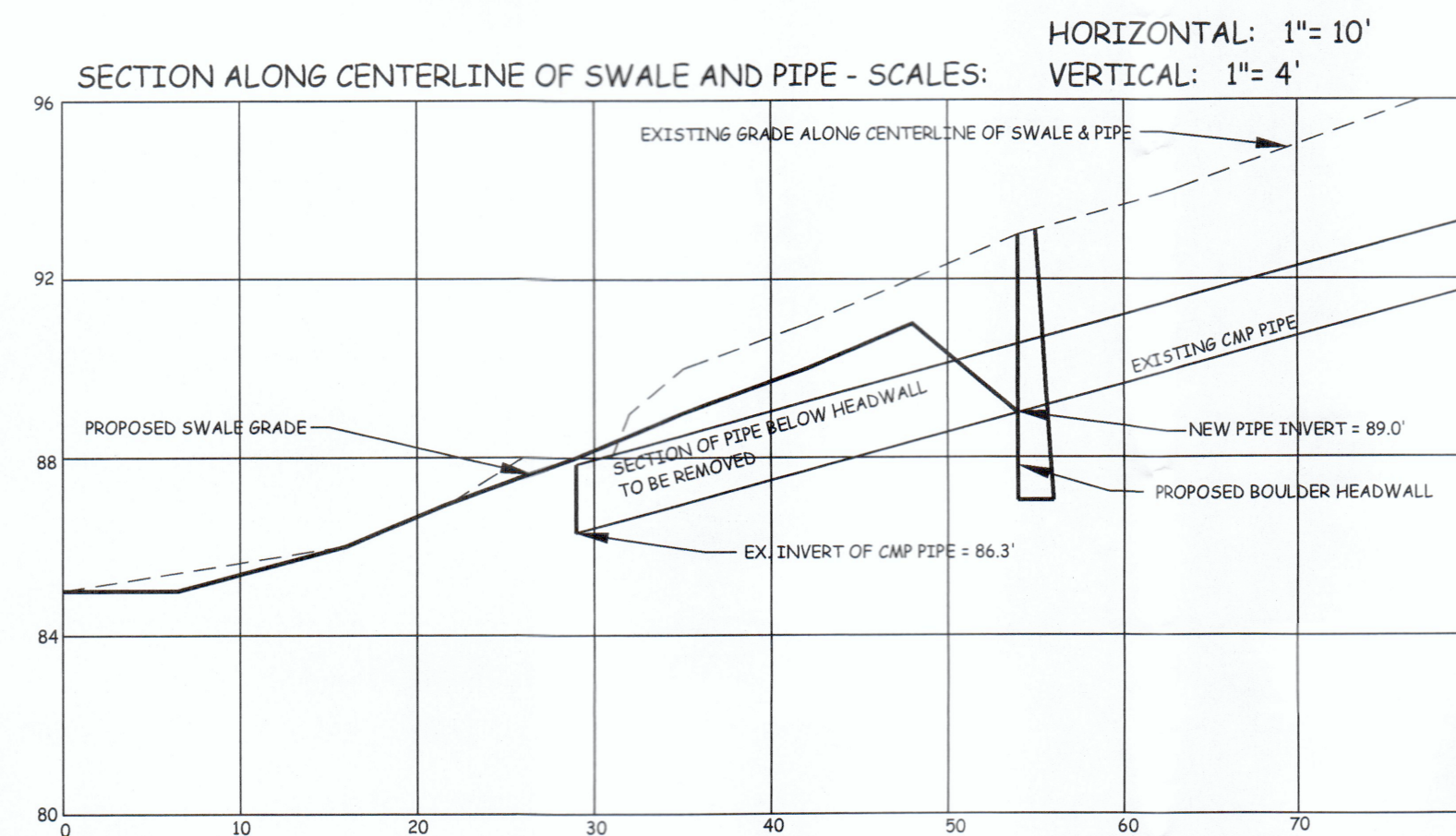
DATE: 11/10/19

PREPARED FOR
 TOWN OF EAST HAMPTON
 WANGONK TRAIL
 EAST HAMPTON - CONNECTICUT

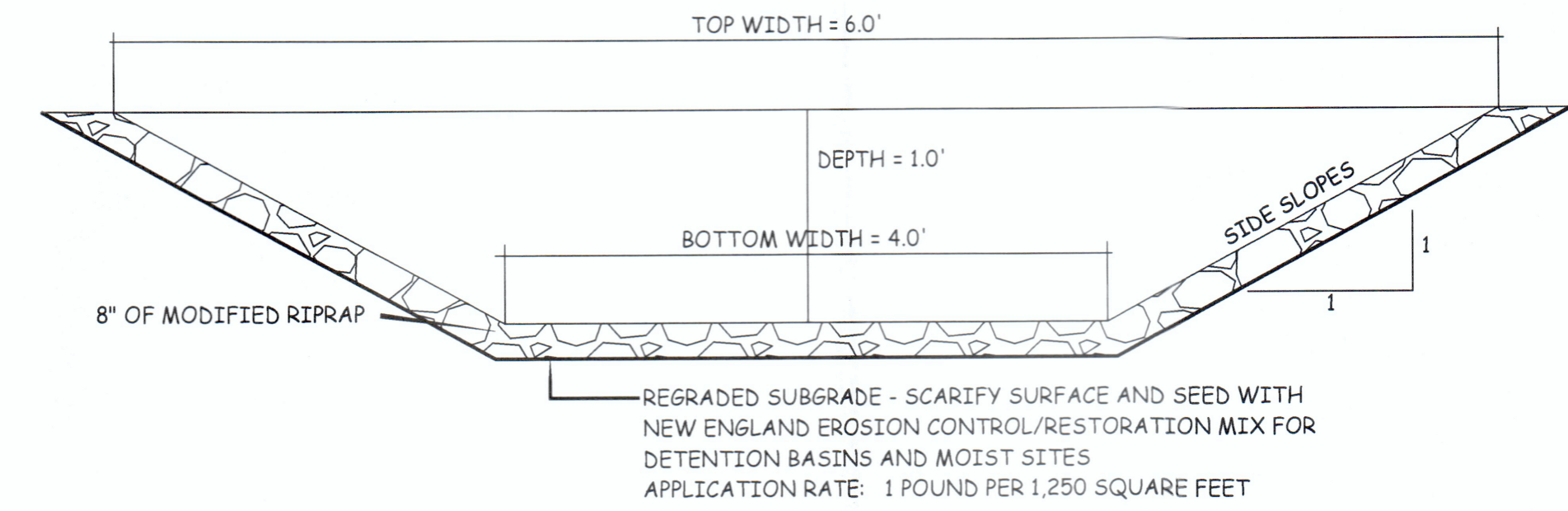
NOTE: APPROXIMATE 31,000 SQUARE FEET OF PAVEMENT WILL BE TREATED BY THE WET SWALE RETROFIT.



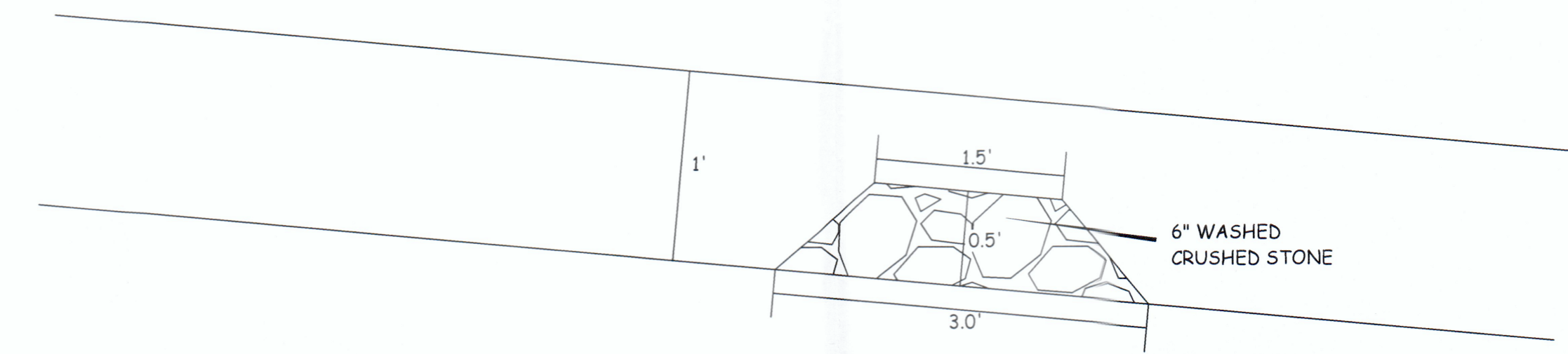
NOTE: THE UPSLOPE JUST AFTER THE END OF THE PIPE WILL CREATE A SLIGHT BACKWATER CONDITION IN THE PIPE WHICH WILL NOT AFFECT THE HYDRAULIC CAPACITY OF THE PIPE. IT WILL ALSO HAVE THE EFFECT OF SIGNIFICANTLY REDUCING OUTLET VELOCITIES FROM THE PIPE.



NOTE: VEGETATION WILL GROW UP THROUGH RIPRAP TO WHICH WILL SOFTEN THE PRESENCE OF RIPRAP. THE VEGETATION WILL ALSO IMPROVE THE WATER QUALITY TREATMENT OF THE RUNOFF



TYPICAL CROSS SECTION OF RIPRAP/VEGETATED SWALE NOT TO SCALE



CROSS SECTION OF STONE CHECK DAM IN SWALE NOT TO SCALE

CONSTRUCTION SEQUENCE:

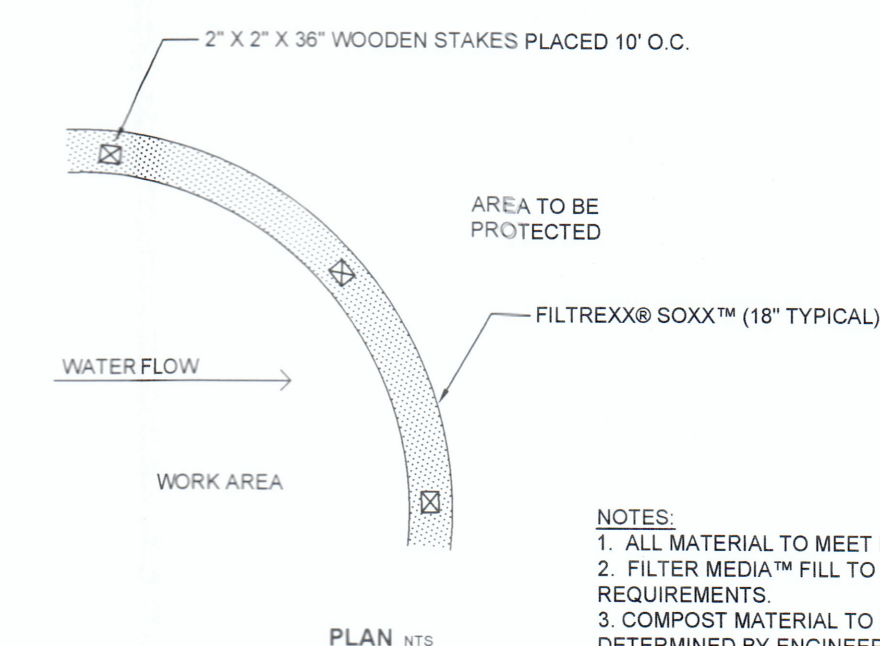
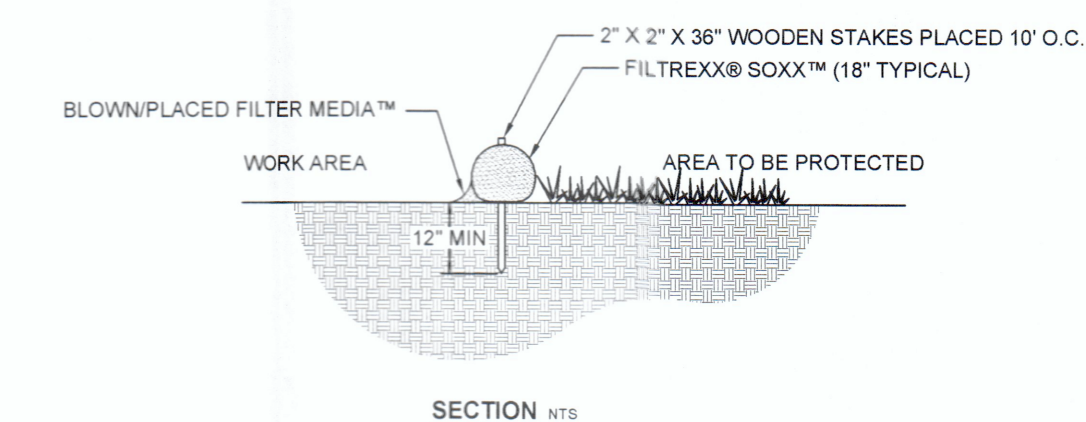
1. REMOVE TREES AND BRUSH ON SOUTH SIDE OF CHAIN LINK AND/OR WOOD FENCE FROM POINT "A" TO POINT "B".
2. INSTALL 18" FILTREXX SOXX AT BOTTOM OF EXISTING DITCH JUST ABOVE CONCRETE SLAB AND IN ACCORD WITH DETAIL SHOWN ON THIS PLAN.
3. UNCOVER EXISTING DRAINAGE PIPE FROM INVERT TO POINT WHERE IT SHALL BE CUT. CUT EXISTING CMP AND REMOVE WESTERN PORTION OF THE CMP.
4. INSTALL TEMPORARY BY-PASS PIPE AS SHOWN ON THE PLAN SO THAT SWALE WORK CAN BE DONE IN DRY ENVIRONMENT.
5. CONSTRUCT BOULDER HEADWALL AT NEW END OF PIPE IN ACCORDANCE WITH DETAIL SHOWN ON THIS PLAN.
6. INSTALL RIPRAP/VEGETATED SWALE PER THE CROSS SECTION ON THIS PLAN. REMOVE ASPHALT FROM EXISTING DITCH, AS WELL AS ROOTS OR LARGE STONES. AFTER SWALE HAS BEEN GRADED TO REQUIRED SUBGRADE, SCARIFY GROUND SURFACE WITH GARDEN RAKE, THEN SEED WITH SEED MIXTURE SHOWN ON THIS PLAN.
7. INSTALL MODIFIED RIPRAP USING HYDRAULIC EXCAVATOR AND HAND PLACEMENT. USE EXCAVATOR TO PUSH STONES INTO GROUND SURFACE.
8. INSTALL STONE CHECK DAMS PER THE PLAN AND DETAIL.
9. THE SEED MIXTURE SHALL BE WATERED AT THIS TIME TO HELP WITH GERMINATION. THE FILTREXX SOXX SHALL REMAIN IN PLACE UNTIL VEGETATION BECOMES ESTABLISHED WITHIN THE SWALE.

MAINTENANCE REQUIREMENTS:

1. MAINTAIN HEIGHT OF VEGETATION WITHIN RIPRAP SWALE AT 12" TO 18". WEED WACK AS NECESSARY TO MAINTAIN THIS HEIGHT.
2. CUT ALL VEGETATION BACK WITHIN SWALE TO HEIGHT OF 6" ABOVE THE STONE SURFACE AT THE END OF THE NOVEMBER. RAKE CUTTINGS OUT OF SWALE AND PLACE IN ADJACENT UPLAND AREA TO DECOMPOSE.

NOTE: EXISTING TOPOGRAPHIC INFORMATION AND LOCATION OF EXISTING DRAINAGE SYSTEM WAS LOCATED IN THE FIELD BY RKW LAND SURVEYING.

NOTE: APPROXIMATE PROPERTY LINES & TRAVEL WAY TAKEN FROM TOWN OF EAST HAMPTON GIS SYSTEM AND ARE SUBJECT TO FIELD VERIFICATION



- NOTES:
1. ALL MATERIAL TO MEET FILTREXX® SPECIFICATIONS.
 2. FILTER MEDIA™ FILL TO MEET APPLICATION REQUIREMENTS.
 3. COMPOST MATERIAL TO BE DISPERSED ON SITE, AS DETERMINED BY ENGINEER.

FILTREXX® SEDIMENT CONTROL NTS

New England Erosion Control/Restoration Mix For Detention Basins and Moist Sites

820 WEST STREET, AMHERST, MA 01002

PHONE: 413-548-8000 FAX 413-549-4000

EMAIL: INFO@NEWP.COM WEB ADDRESS: WWW.NEWP.COM

Elymus riparius Riverbank Wild Rye FACW

Schizachyrium scoparium Little Bluestem FACU

Festuca rubra Red Fescue FACU

Andropogon gerardii Big Bluestem FAC

Panicum virgatum Switch Grass FAC

Vernonia noveboracensis New York Ironweed FACW+

Agrostis perennans Upland Bentgrass FACU

Bidens frondosa Beggar Ticks FACW

Eupatorium maculatum (Eutrochium maculatum) Spotted Joe Pye Weed OBL

Eupatorium perfoliatum Boneset FACW

Aster novae-angliae (Symphyotrichum novae-anglia New England Aster FACW) Scirpus cyperinus Wool Grass FACW

Juncus effusus Soft Rush FACW+

The New England Erosion Control/Restoration Mix for Detention Basins and Moist Sites contains a selection of native grasses and

wildflowers designed to colonize generally moist, recently disturbed sites where quick growth of vegetation is desired to stabilize the soil

surface. It is an appropriate seed mix for ecologically sensitive restorations that require stabilization as well as long-term establishment of

native vegetation. This mix is particularly appropriate for detention basins that do not hold standing water. Many of the plants in this mix

can tolerate infrequent inundation, but not constant flooding. The mix may be applied by hand, by mechanical spreader, or by hydroseeder.

After sowing, lightly rake, roll or cultipack to insure good seed-to-soil contact. Best results are obtained with a Spring or late

Summer seeding. Late Fall and Winter dormant seeding requires an increase in the application rate. A light mulching of clean, weed-free

straw is recommended



TRINKAUS ENGINEERING, LLC
CIVIL ENGINEERS

114 HUNTERS RIDGE ROAD
SOUTHBRURY, CONNECTICUT 06488
203-264-4558 (phone & fax)
Email: strinkaus@earthlink.net
Website: http://www.trinkausengineering.com



LOW IMPACT SUSTAINABLE
DEVELOPMENT
TRINKAUS ENGINEERING

STORMWATER RETROFIT

PROJECT #033-2019

SCALE: 1"= 20'

DATE: 11/10/19

PREPARED FOR
TOWN OF EAST HAMPTON
WANGONK TRAIL
EAST HAMPTON - CONNECTICUT

NOTE: APPROXIMATE 31,000 SQUARE FEET OF PAVEMENT WILL BE TREATED BY THE WET SWALE RETROFIT.

NOTE: ASPHALT LINING IN EXISTING DITCH BELOW OUTLET OF CMP SHALL BE REMOVED UP TO THE FENCE LINE

18" FILTREXX SOXX SEE DETAIL

NOTE: SWALE TO END AT TOP OF CONCRETE SLAB AT EDGE OF LAKE

NOTE: REMOVE TREES ON SOUTH SIDE OF CHAIN LINK AND WOOD FENCE TO ALLOW FOR CONSTRUCTION OF SWALE FROM "A" TO "B"

TEMPORARY 15" HDPE PIPE TO BYPASS FLOWS AROUND SWALE LOCATION DURING ACTIVE CONSTRUCTION PERIOD - PIPE SHALL DISCHARGE JUST OVER LOWER RAILROAD TO THE RETAINING WALL - A FILTREXX SOXX (18") SHALL BE PLACED AT THE OUTLET OF THE TEMPORARY PIPE

PROPOSED RIPRAP & VEGETATED SWALE SEE DETAIL BOTTOM WIDTH = 4' CENTERLINE DEPTH = 1' 1:1 SIDE SLOPES

INV. = 86.30'

24" CMP. SLOPE = 11.45%

METAL CHAIN LINK FENCE

CUT AND REMOVE CMP BELOW THIS POINT NEW INVERT = 89.0' CONSTRUCTED BOULDER HEADWALL AT NEW END OF PIPE - SEE DETAIL

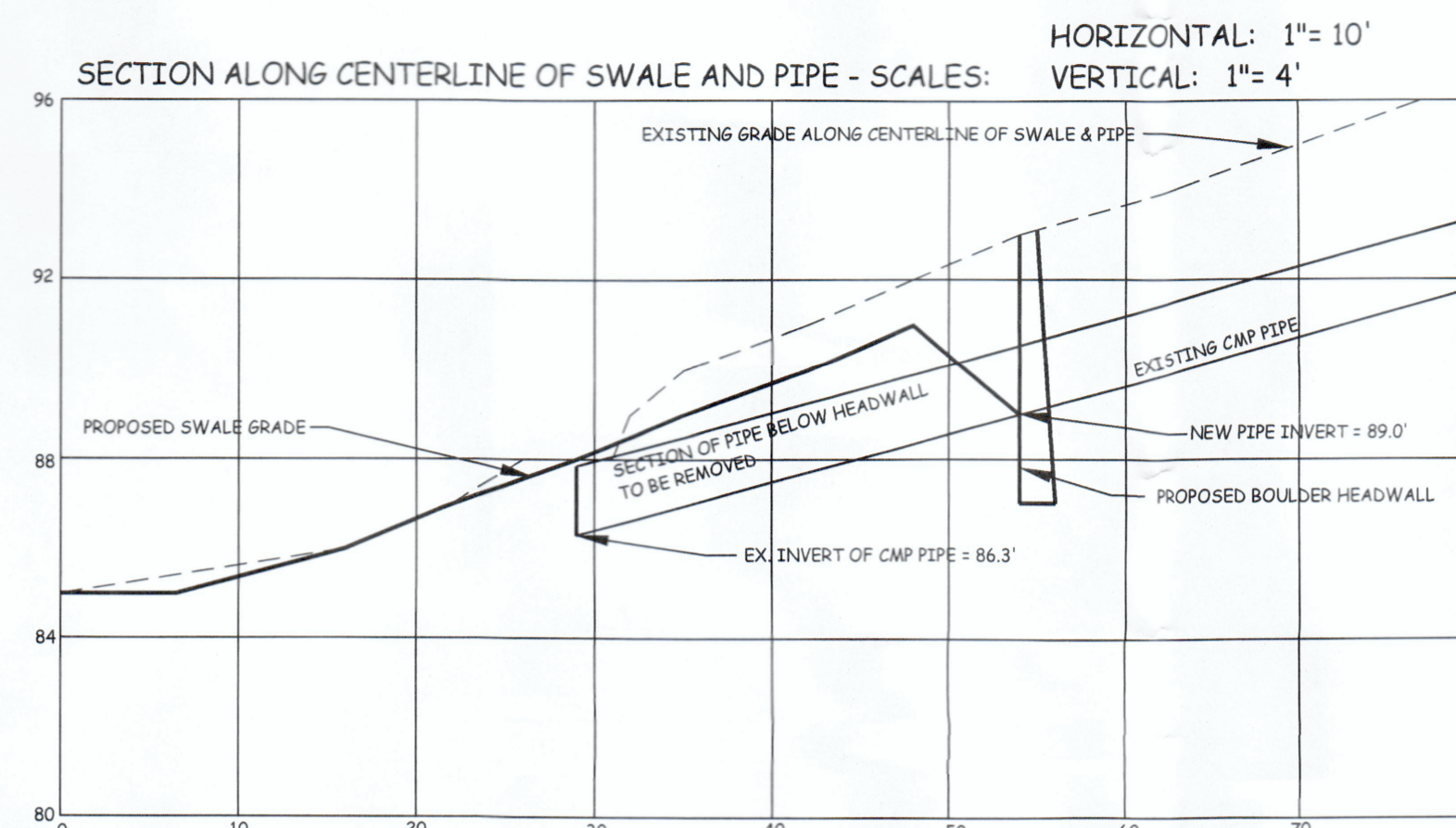
FOUR ARBORVITAE IN A ROW

EXISTING CATCH BASIN RIM = 100.0' INV. OUT = 94.75' (APPROXIMATE AS IT COULD NOT BE MEASURED DIRECTLY DUE TO CAST IRON OUTLET HOOD)

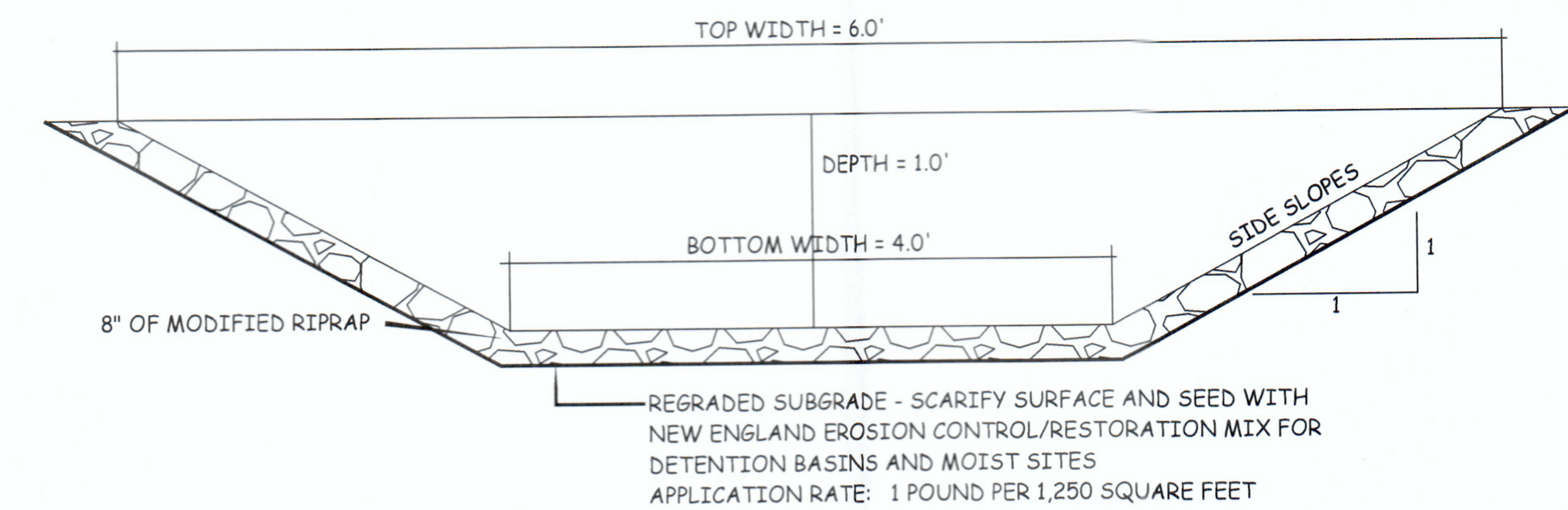
WANGONK TRAIL NORTH

MOHICAN TRAIL

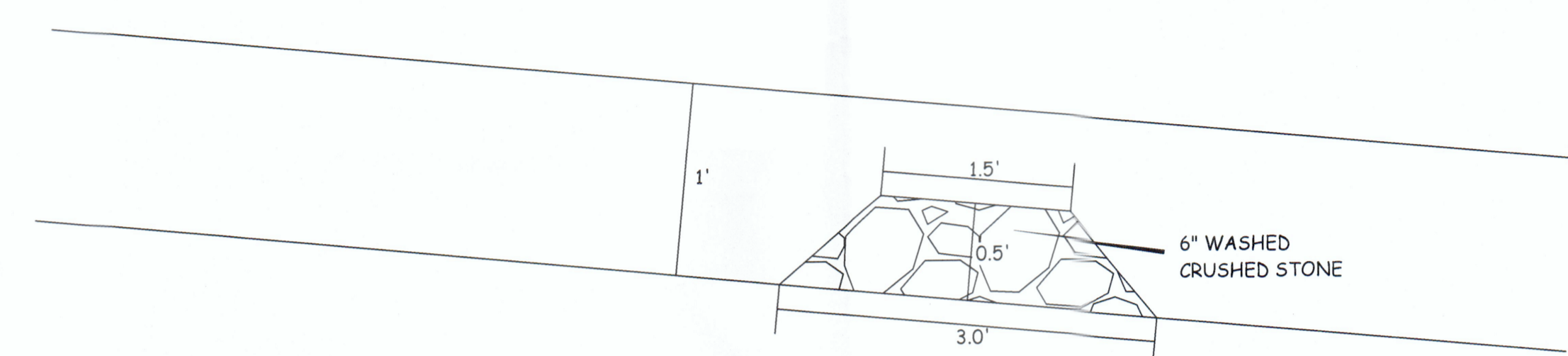
NOTE: THE UPSLOPE JUST AFTER THE END OF THE PIPE WILL CREATE A SLIGHT BACKWATER CONDITION IN THE PIPE WHICH WILL NOT AFFECT THE HYDRAULIC CAPACITY OF THE PIPE. IT WILL ALSO HAVE THE EFFECT OF SIGNIFICANTLY REDUCING OUTLET VELOCITIES FROM THE PIPE.



NOTE: VEGETATION WILL GROW UP THROUGH RIPRAP TO WHICH WILL SOFTEN THE PRESENCE OF RIPRAP. THE VEGETATION WILL ALSO IMPROVE THE WATER QUALITY TREATMENT OF THE RUNOFF



TYPICAL CROSS SECTION OF RIPRAP/VEGETATED SWALE NOT TO SCALE



CROSS SECTION OF STONE CHECK DAM IN SWALE NOT TO SCALE

New England Erosion Control/Restoration Mix For Detention Basins and Moist Sites
820 WEST STREET, AMHERST, MA 01002
PHONE: 413-548-8000 FAX 413-549-4000
EMAIL: INFO@NEWP.COM WEB ADDRESS: WWW.NEWP.COM

- Elymus riparius Riverbank Wild Rye FACW
- Schizachyrium scoparium Little Bluestem FACU
- Festuca rubra Red Fescue FACU
- Andropogon gerardii Big Bluestem FAC
- Panicum virgatum Switch Grass FAC
- Vernonia noveboracensis New York Ironweed FACW+
- Agrostis perennans Upland Bentgrass FACU
- Bidens frondosa Beggar Ticks FACW
- Eupatorium maculatum (Eutrochium maculatum) Spotted Joe Pye Weed OBL
- Eupatorium perfoliatum Boneset FACW
- Aster novae-angliae (Symphyotrichum novae-anglia New England Aster FACW) Scirpus cyperinus Wool Grass FACW
- Juncus effusus Soft Rush FACW+

The New England Erosion Control/Restoration Mix for Detention Basins and Moist Sites contains a selection of native grasses and wildflowers designed to colonize generally moist, recently disturbed sites where quick growth of vegetation is desired to stabilize the soil surface. It is an appropriate seed mix for ecologically sensitive restorations that require stabilization as well as long-term establishment of native vegetation. This mix is particularly appropriate for detention basins that do not hold standing water. Many of the plants in this mix can tolerate infrequent inundation, but not constant flooding. The mix may be applied by hand, by mechanical spreader, or by hydroseeder.

After sowing, lightly rake, roll or cultipack to insure good seed-to-soil contact. Best results are obtained with a Spring or late Summer seeding. Late Fall and Winter dormant seeding requires an increase in the application rate. A light mulching of clean, weed-free straw is recommended

CONSTRUCTION SEQUENCE:

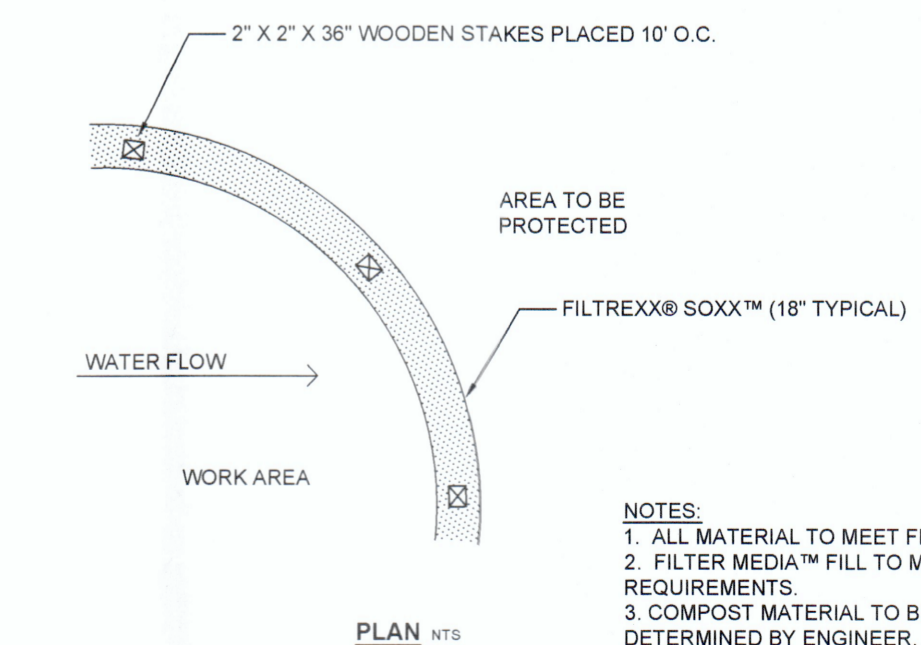
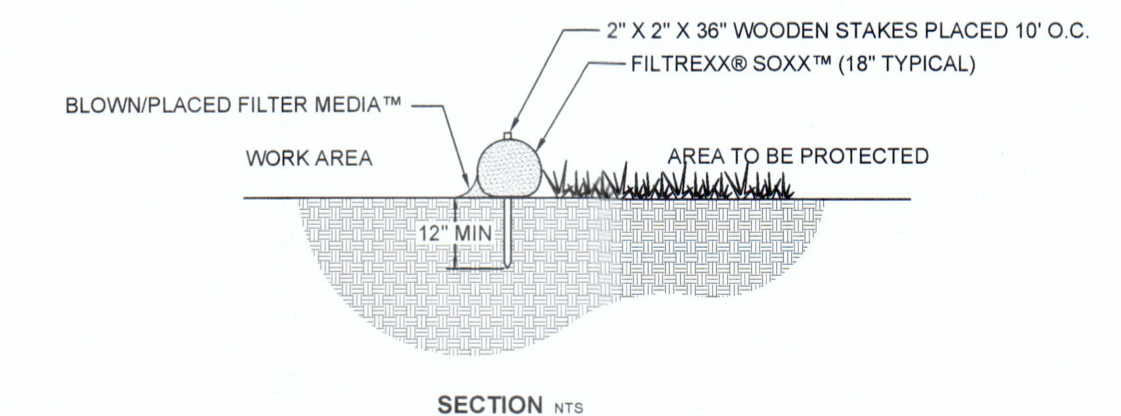
1. REMOVE TREES AND BRUSH ON SOUTH SIDE OF CHAIN LINK AND/OR WOOD FENCE FROM POINT "A" TO POINT "B".
2. INSTALL 18" FILTREXX SOXX AT BOTTOM OF EXISTING DITCH JUST ABOVE CONCRETE SLAB AND IN ACCORD WITH DETAIL SHOWN ON THIS PLAN.
3. UNCOVER EXISTING DRAINAGE PIPE FROM INVERT TO POINT WHERE IT SHALL BE CUT. CUT EXISTING CMP AND REMOVE WESTERN PORTION OF THE CMP.
4. INSTALL TEMPORARY BY-PASS PIPE AS SHOWN ON THE PLAN SO THAT SWALE WORK CAN BE DONE IN DRY ENVIRONMENT.
5. CONSTRUCT BOULDER HEADWALL AT NEW END OF PIPE IN ACCORDANCE WITH DETAIL SHOWN ON THIS PLAN.
6. INSTALL RIPRAP/VEGETATED SWALE PER THE CROSS SECTION ON THIS PLAN. REMOVE ASPHALT FROM EXISTING DITCH, AS WELL AS ROOTS OR LARGE STONES. AFTER SWALE HAS BEEN GRADED TO REQUIRED SUBGRADE, SCARIFY GROUND SURFACE WITH GARDEN RAKE, THEN SEED WITH SEED MIXTURE SHOWN ON THIS PLAN.
7. INSTALL MODIFIED RIPRAP USING HYDRAULIC EXCAVATOR AND HAND PLACEMENT. USE EXCAVATOR TO PUSH STONES INTO GROUND SURFACE.
8. INSTALL STONE CHECK DAMS PER THE PLAN AND DETAIL.
9. THE SEED MIXTURE SHALL BE WATERED AT THIS TIME TO HELP WITH GERMINATION. THE FILTREXX SOXX SHALL REMAIN IN PLACE UNTIL VEGETATION BECOMES ESTABLISHED WITHIN THE SWALE.

MAINTENANCE REQUIREMENTS:

1. MAINTAIN HEIGHT OF VEGETATION WITHIN RIPRAP SWALE AT 12" TO 18". WEED WACK AS NECESSARY TO MAINTAIN THIS HEIGHT.
2. CUT ALL VEGETATION BACK WITHIN SWALE TO HEIGHT OF 6" ABOVE THE STONE SURFACE AT THE END OF THE NOVEMBER. RAKE CUTTINGS OUT OF SWALE AND PLACE IN ADJACENT UPLAND AREA TO DECOMPOSE.

NOTE: EXISTING TOPOGRAPHIC INFORMATION AND LOCATION OF EXISTING DRAINAGE SYSTEM WAS LOCATED IN THE FIELD BY RWK LAND SURVEYING.

NOTE: APPROXIMATE PROPERTY LINES & TRAVEL WAY TAKEN FROM TOWN OF EAST HAMPTON GIS SYSTEM AND ARE SUBJECT TO FIELD VERIFICATION



- NOTES:
1. ALL MATERIAL TO MEET FILTREXX® SPECIFICATIONS.
 2. FILTER MEDIA™ FILL TO MEET APPLICATION REQUIREMENTS.
 3. COMPOST MATERIAL TO BE DISPERSED ON SITE, AS DETERMINED BY ENGINEER.

FILTREXX® SEDIMENT CONTROL NTS



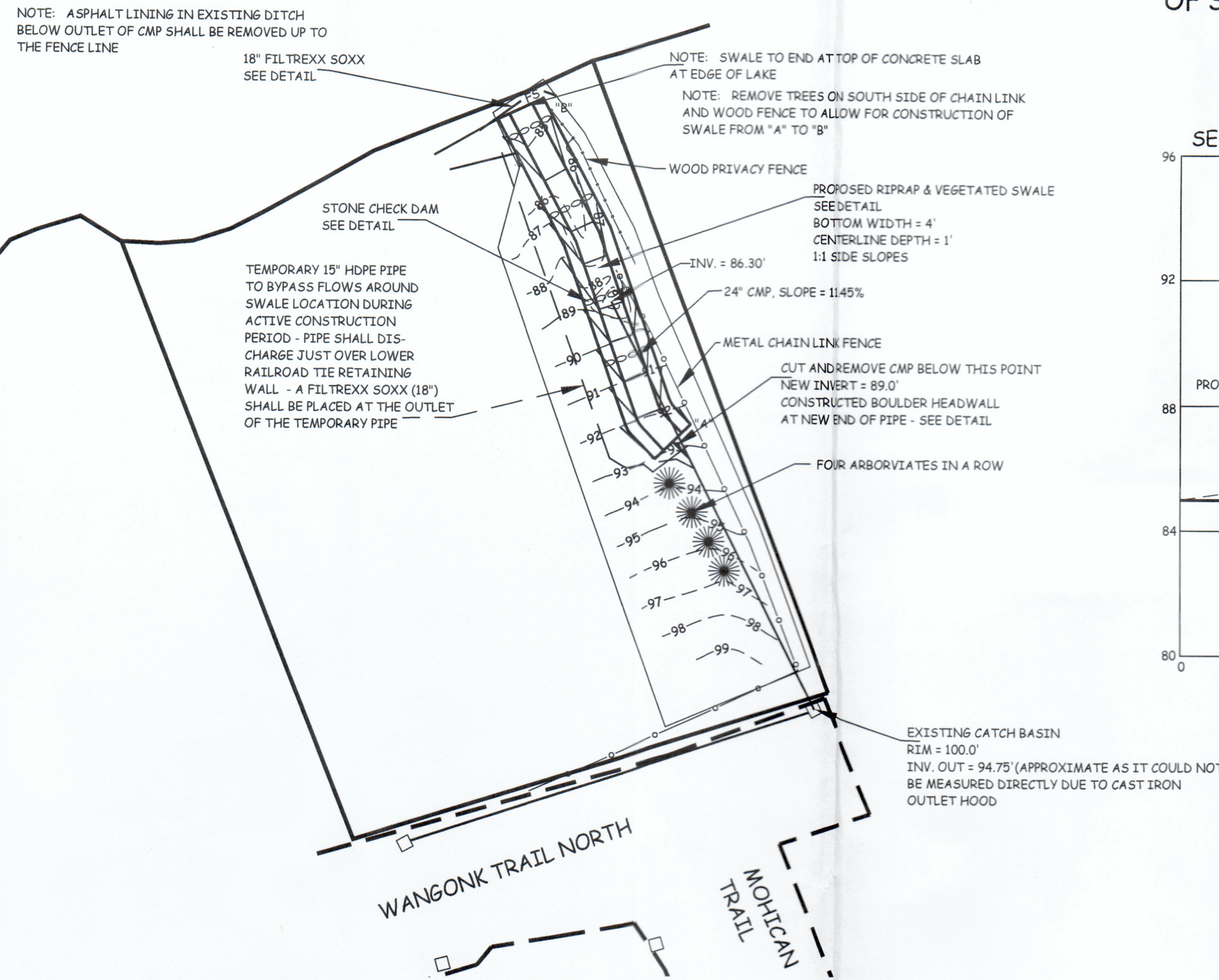
TRINKAUS ENGINEERING, LLC
CIVIL ENGINEERS
114 HUNTERS RIDGE ROAD
SOUTHBRURY, CONNECTICUT 06488
203-264-4558 (phone & fax)
Email: strinkaus@earthlink.net
Website: http://www.trinkausengineering.com



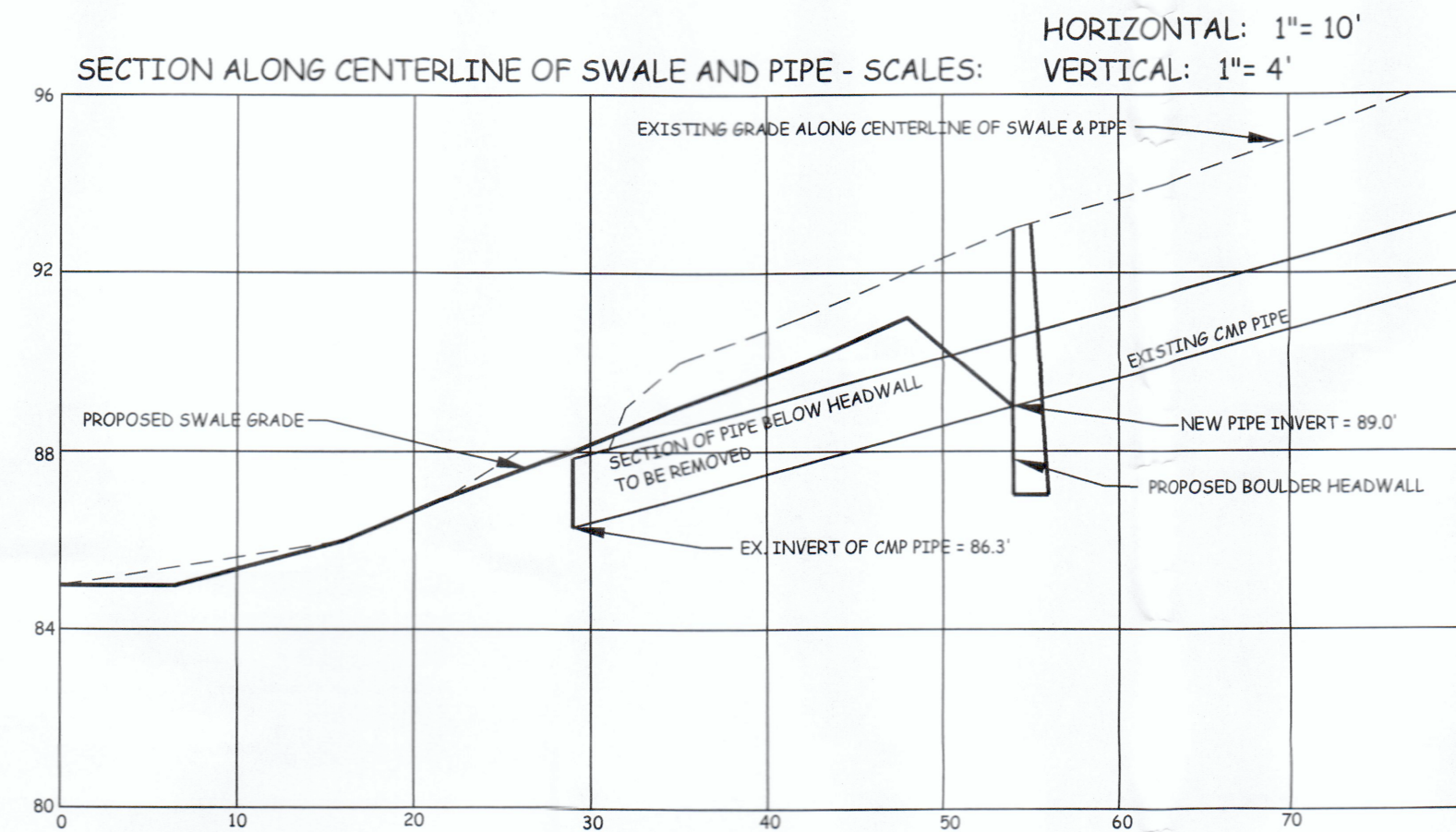
STORMWATER RETROFIT
PROJECT #033-2019
SCALE: 1"= 20'
DATE: 11/10/19

PREPARED FOR
TOWN OF EAST HAMPTON
WANGONK TRAIL
EAST HAMPTON - CONNECTICUT

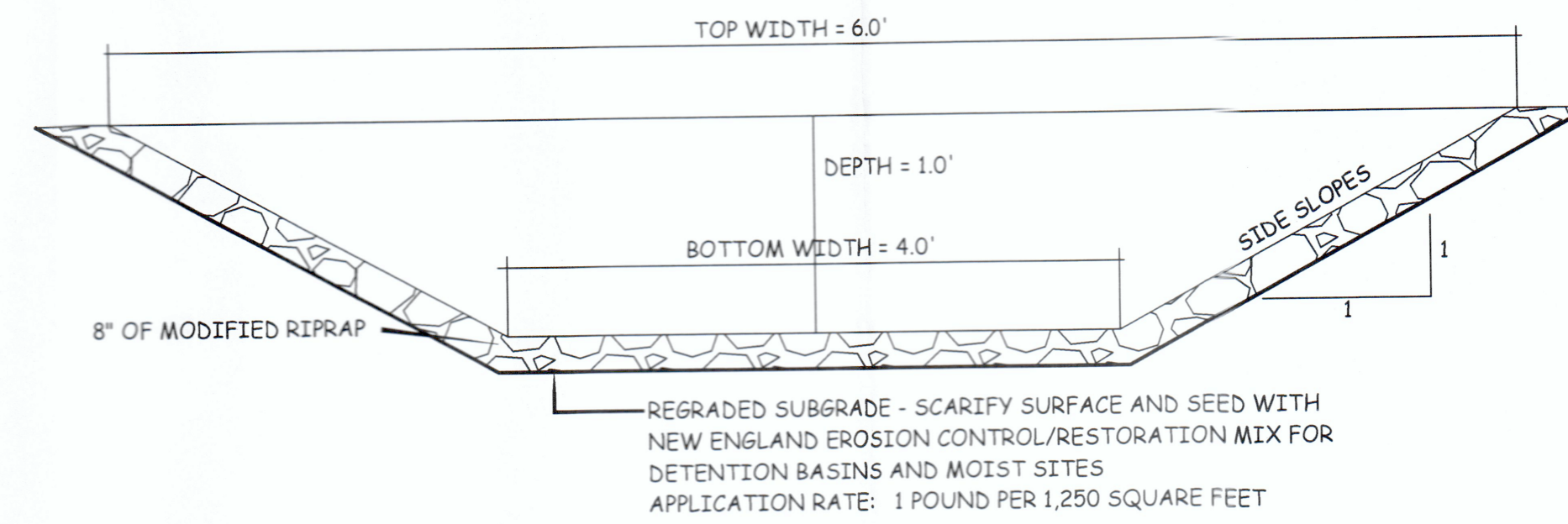
NOTE: APPROXIMATE 31,000 SQUARE FEET OF PAVEMENT WILL BE TREATED BY THE WET SWALE RETROFIT.



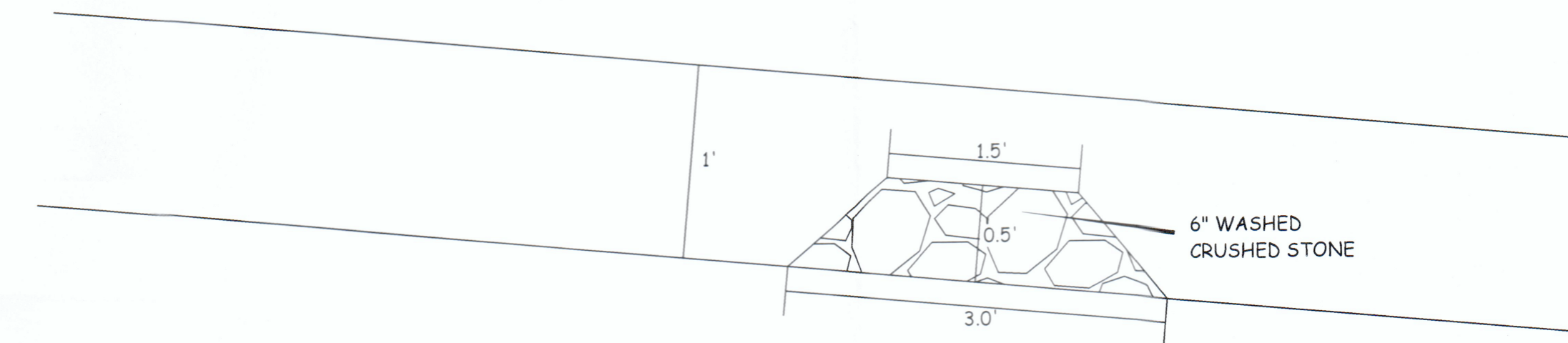
NOTE: THE UPSLOPE JUST AFTER THE END OF THE PIPE WILL CREATE A SLIGHT BACKWATER CONDITION IN THE PIPE WHICH WILL NOT AFFECT THE HYDRAULIC CAPACITY OF THE PIPE. IT WILL ALSO HAVE THE EFFECT OF SIGNIFICANTLY REDUCING OUTLET VELOCITIES FROM THE PIPE.



NOTE: VEGETATION WILL GROW UP THROUGH RIPRAP TO WHICH WILL SOFTEN THE PRESENCE OF RIPRAP. THE VEGETATION WILL ALSO IMPROVE THE WATER QUALITY TREATMENT OF THE RUNOFF



TYPICAL CROSS SECTION OF RIPRAP/VEGETATED SWALE NOT TO SCALE



CROSS SECTION OF STONE CHECK DAM IN SWALE NOT TO SCALE

New England Erosion Control/Restoration Mix For Detention Basins and Moist Sites
820 WEST STREET, AMHERST, MA 01002
PHONE: 413-548-8000 FAX 413-549-4000
EMAIL: INFO@NEWP.COM WEB ADDRESS: WWW.NEWP.COM

- Elymus riparius Riverbank Wild Rye FACW
- Schizachyrium scoparium Little Bluestem FACU
- Festuca rubra Red Fescue FACU
- Andropogon gerardii Big Bluestem FAC
- Panicum virgatum Switch Grass FAC
- Vernonia noveboracensis New York Ironweed FACW+
- Agrostis perennans Upland Bentgrass FACU
- Bidens frondosa Beggar Ticks FACW
- Eupatorium maculatum (Eutrochium maculatum) Spotted Joe Pye Weed OBL
- Eupatorium perfoliatum Boneset FACW
- Aster novae-angliae (Symphyotrichum novae-anglia New England Aster FACW) Scirpus cyperinus Wool Grass FACW
- Juncus effusus Soft Rush FACW+

The New England Erosion Control/Restoration Mix for Detention Basins and Moist Sites contains a selection of native grasses and wildflowers designed to colonize generally moist, recently disturbed sites where quick growth of vegetation is desired to stabilize the soil surface. It is an appropriate seed mix for ecologically sensitive restorations that require stabilization as well as long-term establishment of native vegetation. This mix is particularly appropriate for detention basins that do not hold standing water. Many of the plants in this mix can tolerate infrequent inundation, but not constant flooding. The mix may be applied by hand, by mechanical spreader, or by hydroseeder. After sowing, lightly rake, roll or cultipack to insure good seed-to-soil contact. Best results are obtained with a Spring or late Summer seeding. Late Fall and Winter dormant seeding requires an increase in the application rate. A light mulching of clean, weed-free straw is recommended

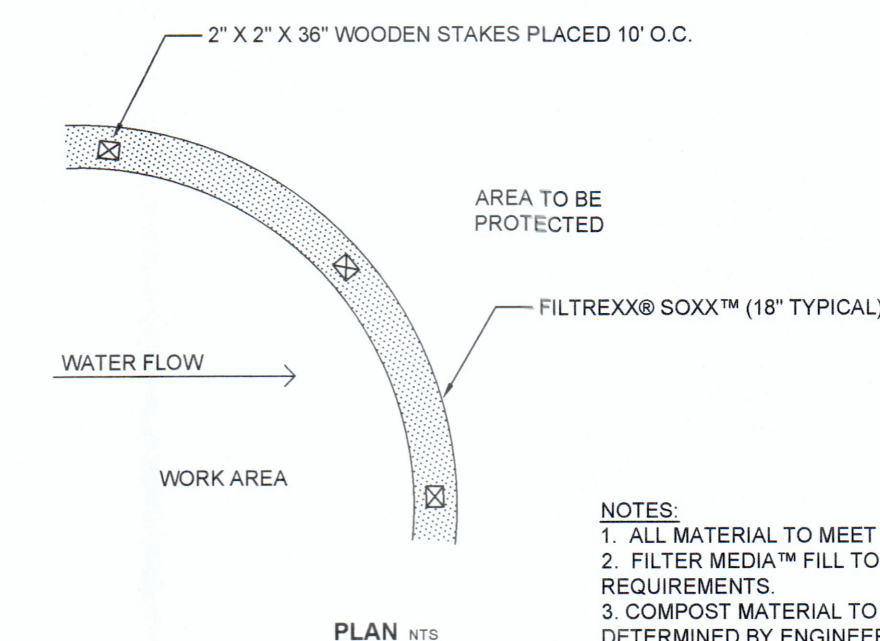
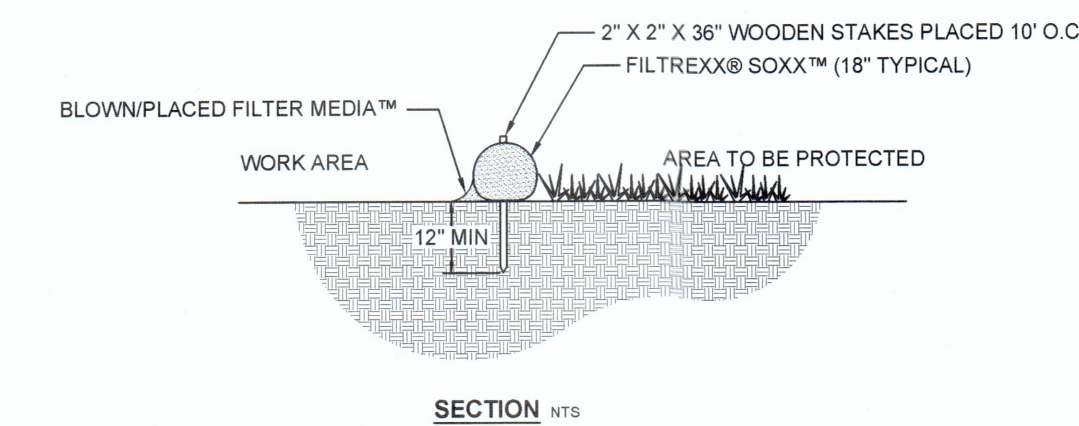
CONSTRUCTION SEQUENCE:

1. REMOVE TREES AND BRUSH ON SOUTH SIDE OF CHAIN LINK AND/OR WOOD FENCE FROM POINT "A" TO POINT "B".
2. INSTALL 18" FILTREXX SOXX AT BOTTOM OF EXISTING DITCH JUST ABOVE CONCRETE SLAB AND IN ACCORD WITH DETAIL SHOWN ON THIS PLAN.
3. UNCOVER EXISTING DRAINAGE PIPE FROM INVERT TO POINT WHERE IT SHALL BE CUT. CUT EXISTING CMP AND REMOVE WESTERN PORTION OF THE CMP.
4. INSTALL TEMPORARY BY-PASS PIPE AS SHOWN ON THE PLAN SO THAT SWALE WORK CAN BE DONE IN DRY ENVIRONMENT.
5. CONSTRUCT BOULDER HEADWALL AT NEW END OF PIPE IN ACCORDANCE WITH DETAIL SHOWN ON THIS PLAN.
6. INSTALL RIPRAP/VEGETATED SWALE PER THE CROSS SECTION ON THIS PLAN. REMOVE ASPHALT FROM EXISTING DITCH, AS WELL AS ROOTS OR LARGE STONES. AFTER SWALE HAS BEEN GRADED TO REQUIRED SUBGRADE, SCARIFY GROUND SURFACE WITH GARDEN RAKE, THEN SEED WITH SEED MIXTURE SHOWN ON THIS PLAN.
7. INSTALL MODIFIED RIPRAP USING HYDRAULIC EXCAVATOR AND HAND PLACEMENT. USE EXCAVATOR TO PUSH STONES INTO GROUND SURFACE.
8. INSTALL STONE CHECK DAMS PER THE PLAN AND DETAIL.
9. THE SEED MIXTURE SHALL BE WATERED AT THIS TIME TO HELP WITH GERMINATION. THE FILTREXX SOXX SHALL REMAIN IN PLACE UNTIL VEGETATION BECOMES ESTABLISHED WITHIN THE SWALE.

MAINTENANCE REQUIREMENTS:

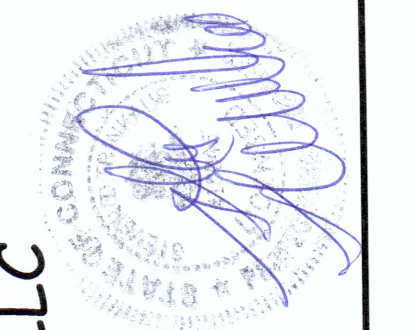
1. MAINTAIN HEIGHT OF VEGETATION WITHIN RIPRAP SWALE AT 12" TO 18". WEED WACK AS NECESSARY TO MAINTAIN THIS HEIGHT.
2. CUT ALL VEGETATION BACK WITHIN SWALE TO HEIGHT OF 6" ABOVE THE STONE SURFACE AT THE END OF THE NOVEMBER. RAKE CUTTINGS OUT OF SWALE AND PLACE IN ADJACENT UPLAND AREA TO DECOMPOSE.

NOTE: EXISTING TOPOGRAPHIC INFORMATION AND LOCATION OF EXISTING DRAINAGE SYSTEM WAS LOCATED IN THE FIELD BY RKW LAND SURVEYING.
NOTE: APPROXIMATE PROPERTY LINES & TRAVEL WAY TAKEN FROM TOWN OF EAST HAMPTON GIS SYSTEM AND ARE SUBJECT TO FIELD VERIFICATION



- NOTES:
1. ALL MATERIAL TO MEET FILTREXX SPECIFICATIONS.
 2. FILTER MEDIA FILL TO MEET APPLICATION REQUIREMENTS.
 3. COMPOST MATERIAL TO BE DISPERSED ON SITE, AS DETERMINED BY ENGINEER.

FILTREXX® SEDIMENT CONTROL
NTS



TRINKAUS ENGINEERING, LLC
CIVIL ENGINEERS
114 HUNTERS RIDGE ROAD
SOUTHBRURY, CONNECTICUT 06488
203-264-4558 (phone & fax)
Email: strinka@earthlink.net
Website: http://www.trinkaengineering.com



STORMWATER RETROFIT
PROJECT #033-2019
SCALE: 1"= 20'
DATE: 11/10/19

PREPARED FOR
TOWN OF EAST HAMPTON
WANGONK TRAIL
EAST HAMPTON - CONNECTICUT