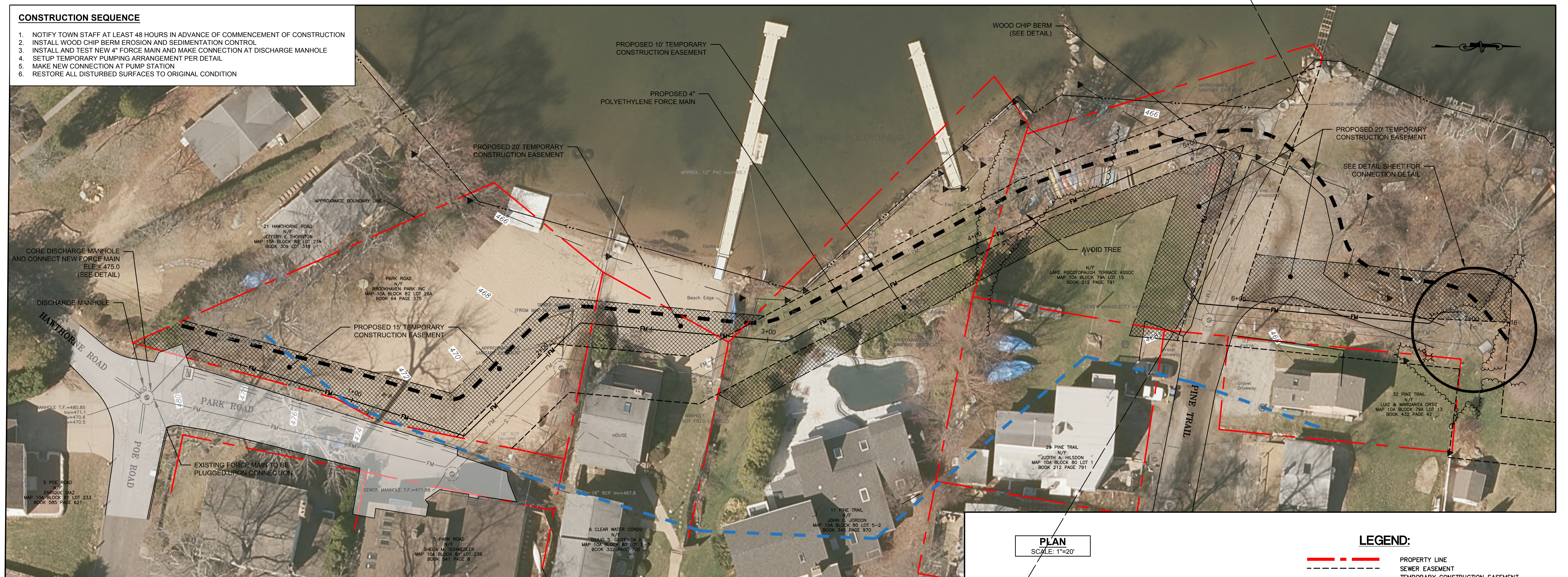


CONSTRUCTION SEQUENCE

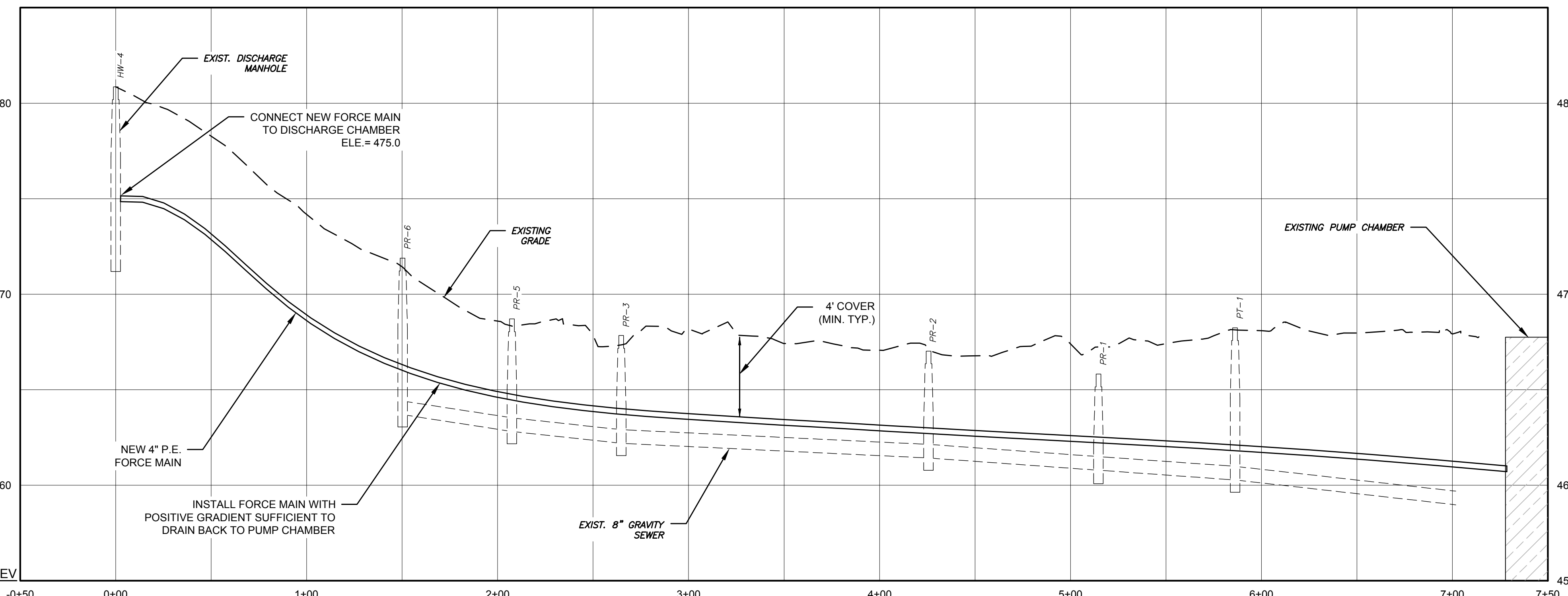
1. NOTIFY TOWN STAFF AT LEAST 48 HOURS IN ADVANCE OF COMMENCEMENT OF CONSTRUCTION
2. INSTALL WOOD CHIP BERM EROSION AND SEDIMENTATION CONTROL
3. INSTALL AND TEST NEW 4" FORCE MAIN AND MAKE CONNECTION AT DISCHARGE MANHOLE
4. SETUP TEMPORARY PUMPING ARRANGEMENT PER DETAIL
5. MAKE NEW CONNECTION AT PUMP STATION
6. RESTORE ALL DISTURBED SURFACES TO ORIGINAL CONDITION



PLAN
SCALE: 1"=20'

LEGEND:

- PROPERTY LINE
- SEWER EASEMENT
- TEMPORARY CONSTRUCTION EASEMENT
- UPLAND REVIEW AREA
- PROPOSED WOODCHIP BERM
- GAS LINE
- SEWER LINE
- SEWER FORCE MAIN
- DRAINAGE PIPE
- CONTOUR
- CHAIN LINK FENCE
- STOCKADE FENCE
- RETAINING WALL
- STONE WALL
- GUIDERAIL
- TREE LINE
- EDGE OF WETLANDS
- STREAM
- WETLAND FLAG/LINE
- CATCH BASIN
- ELECTRIC MANHOLE
- SEWER MANHOLE
- DRAINAGE MANHOLE
- UTILITY POLE
- DRILL HOLE
- IRON PIN, IRON PIPE
- MERESTONE, CT HIGHWAY DEPARTMENT, MONUMENT
- TREE
- SHRUB
- LAMP

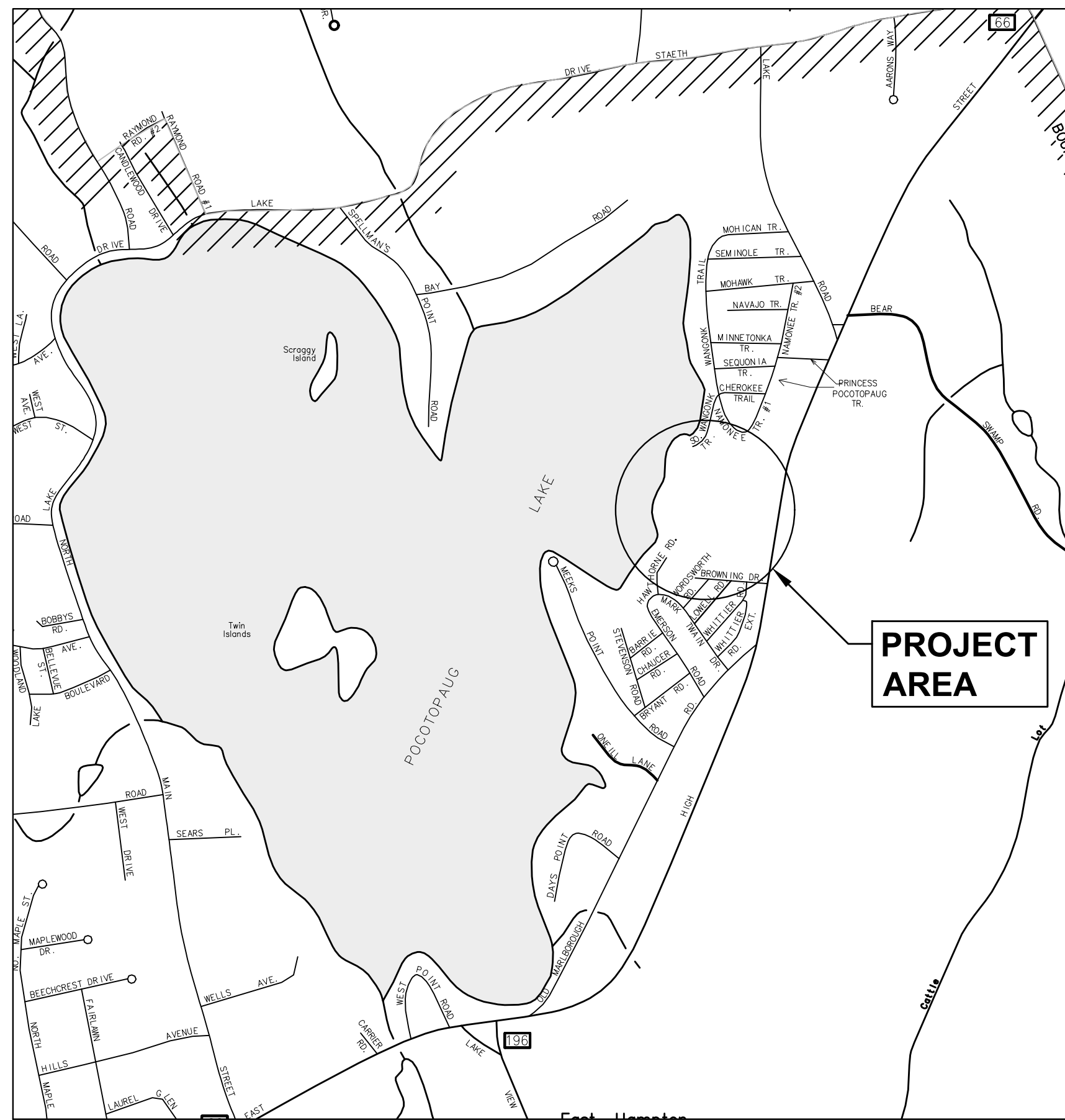


PROPOSED FORCE MAIN - Sta -0+50 to Sta 7+50
 Horiz. Scale = 1" = 40 Feet
 Vert. Scale = 1" = 4 Feet

RECEIVED
6.28.2021
 East Hampton
 Land Use Office

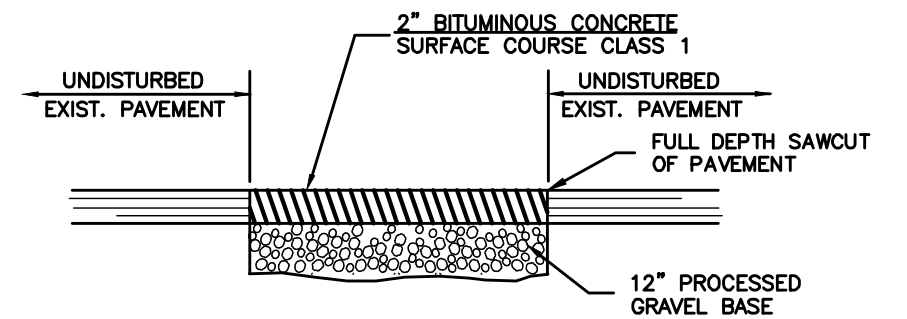
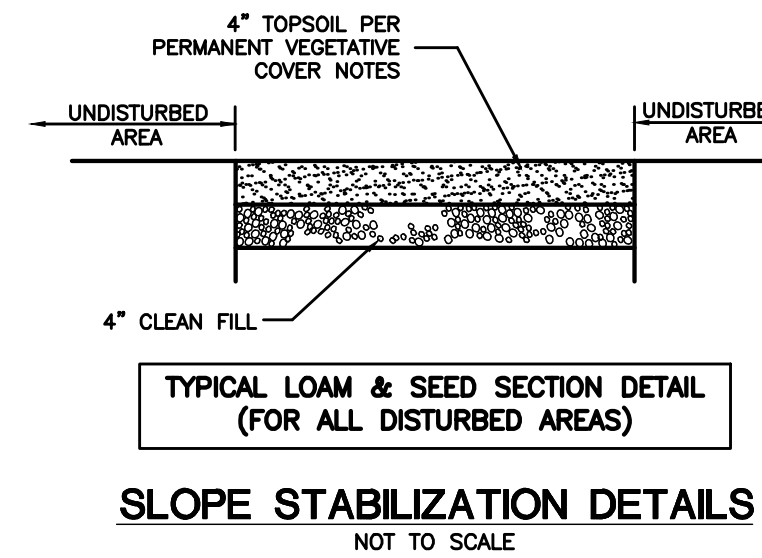
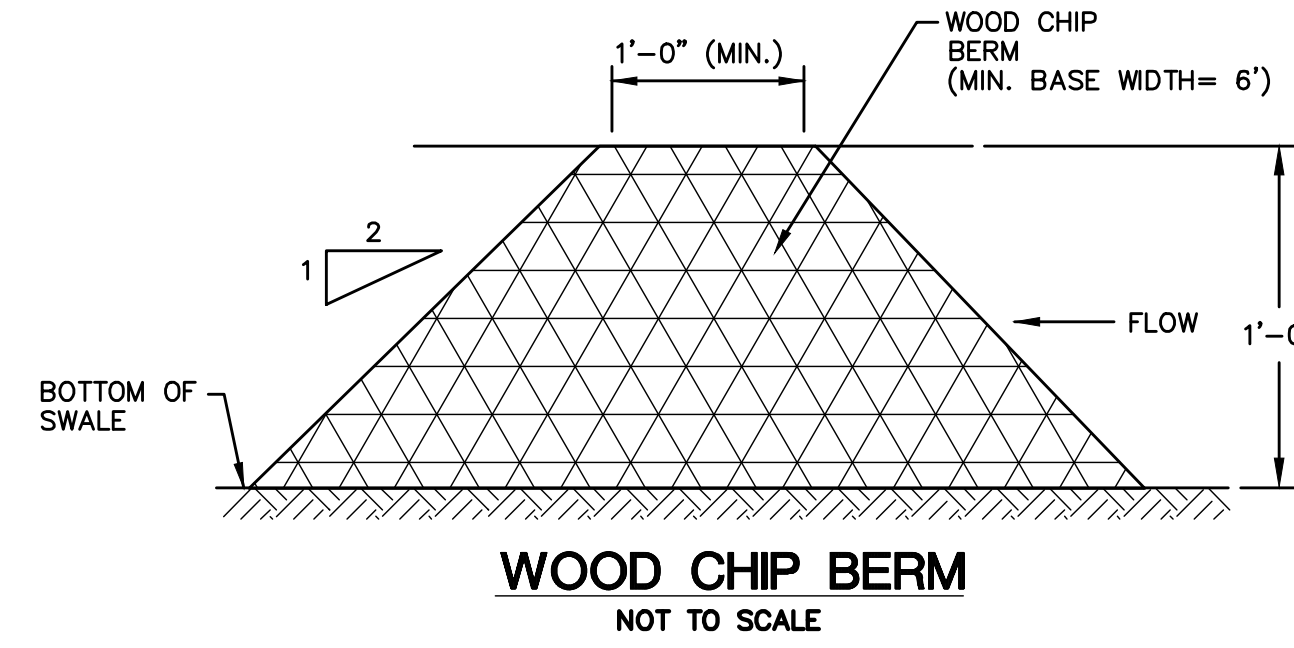
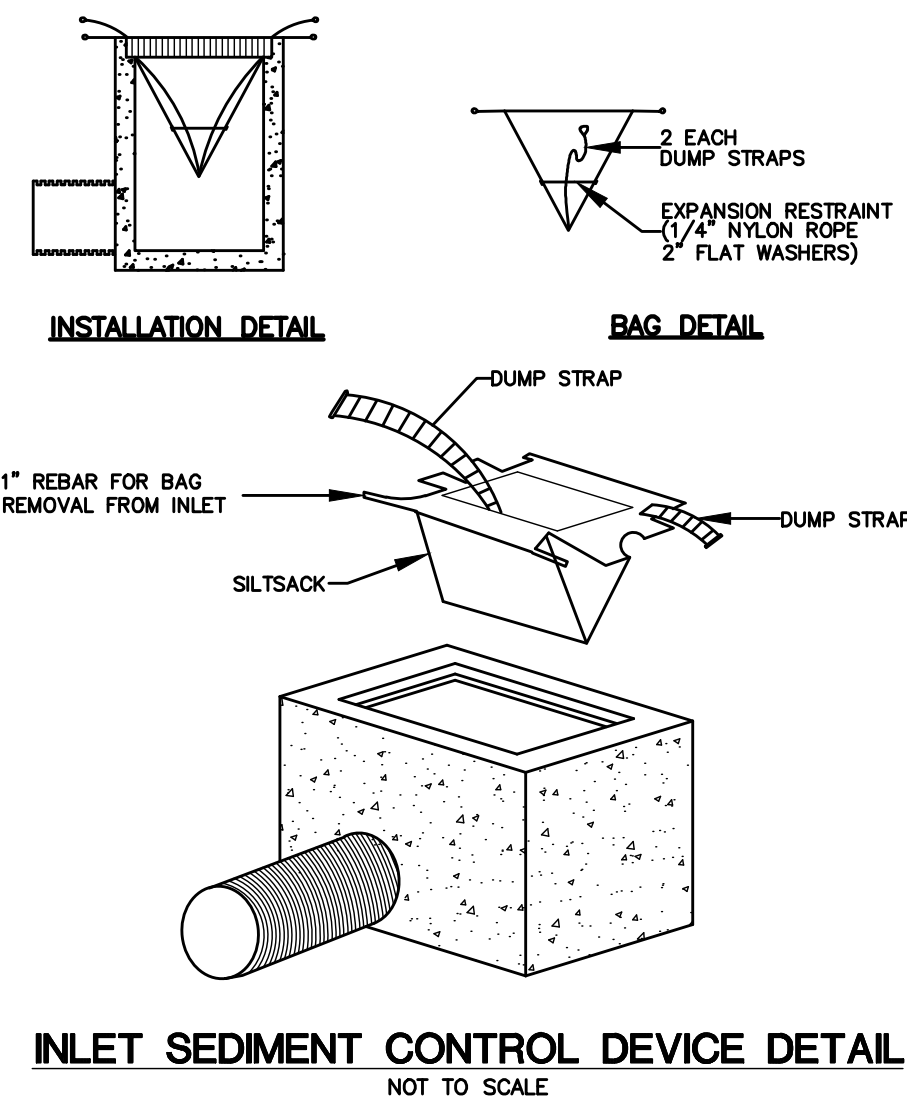
<p>CLA Engineers, Inc. CIVIL • STRUCTURAL • SURVEYING</p>								
317 Main Street Norwich, CT 06360 (860) 886-1966 Fax (860) 886-9165								
<table border="1"> <thead> <tr> <th>No.</th> <th>DATE</th> <th>REVISION</th> </tr> </thead> <tbody> <tr> <td>1</td> <td>6/21</td> <td>MISC. REVISIONS</td> </tr> </tbody> </table>	No.	DATE	REVISION	1	6/21	MISC. REVISIONS	EAST HAMPTON WPCA PINE TRAIL FORCE MAIN REPLACEMENT SITE PLAN	Project No. CLA-6365 Proj. Engineer R.A.D Date: 02/01/20 Sheet No. 1
No.	DATE	REVISION						
1	6/21	MISC. REVISIONS						

M:\0000\0300\Pine Trail Force Main Drawings\6365 Proposed Conditions.dwg, 6/24/2021 2:37:49 PM, DWG To PDF.pc3



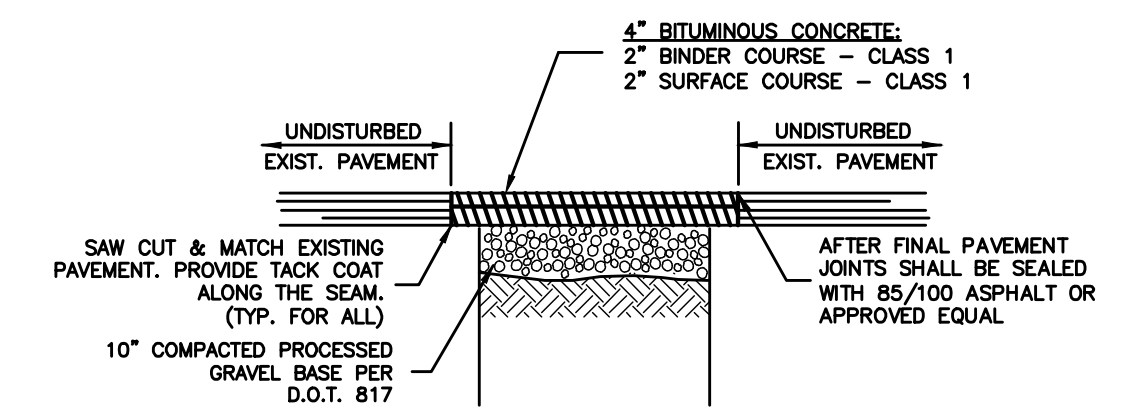
LOCUS MAP
Scale 1" = 1,000'

PROJECT AREA



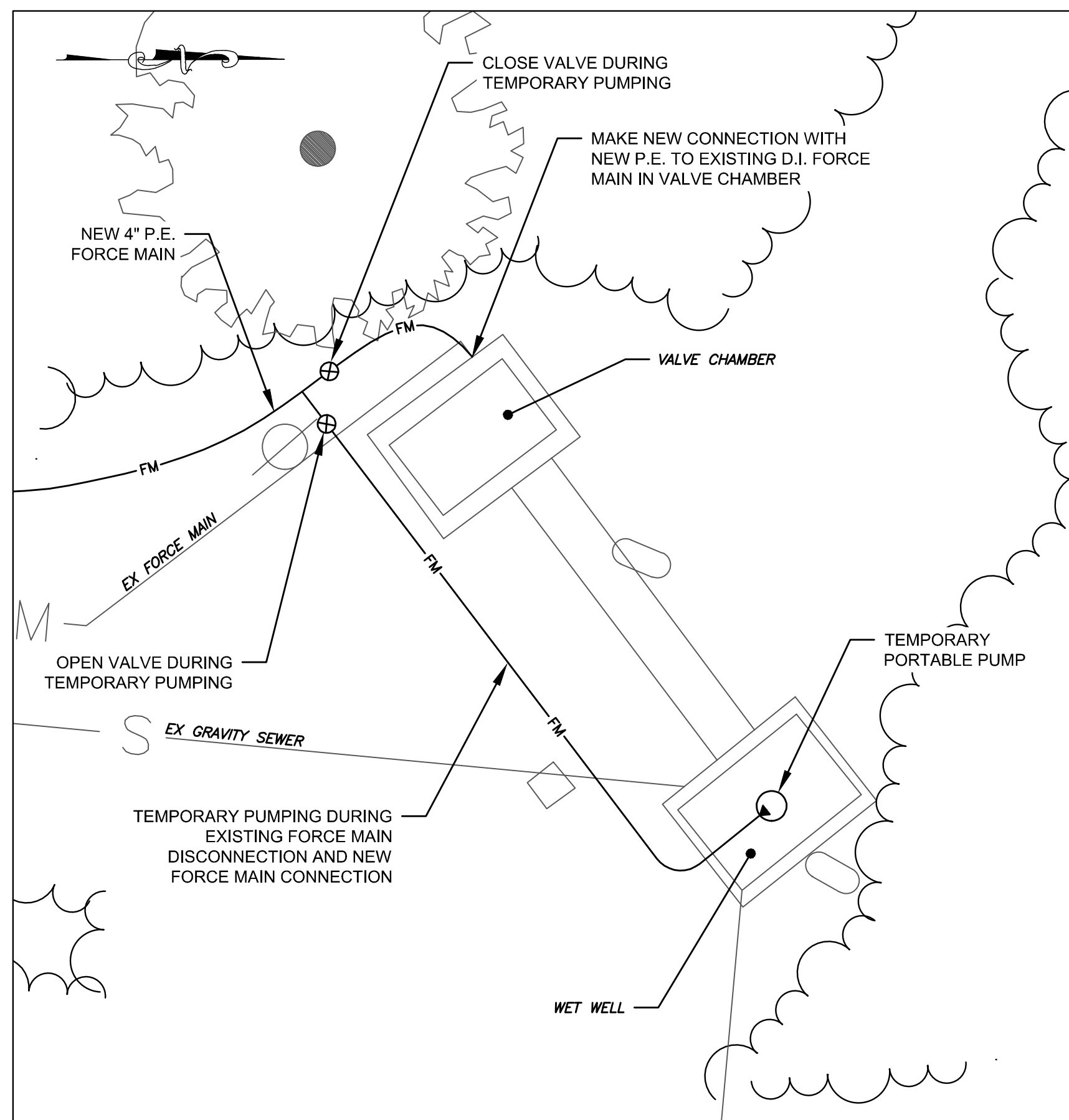
NOTES:
1. CONTRACTOR TO PROVIDE COMPACTION ON ALL TRENCH BACKFILLS, EXCAVATIONS AND PAVEMENT BASES TO NOT LESS THAN 95% OF THE DRY DENSITY FOR THAT MATERIAL.
2. TEMP. PAVEMENT SHALL BE PLACED AT THE END OF WEEK OR AS DIRECTED BY THE OWNER OR ENGINEER.
3. PROCESSED GRAVEL MUST BE INSTALLED AT THE TIME OF TEMPORARY PAVING.

TEMPORARY PAVEMENT REPAIR (LOCAL ROADS)
NOT TO SCALE

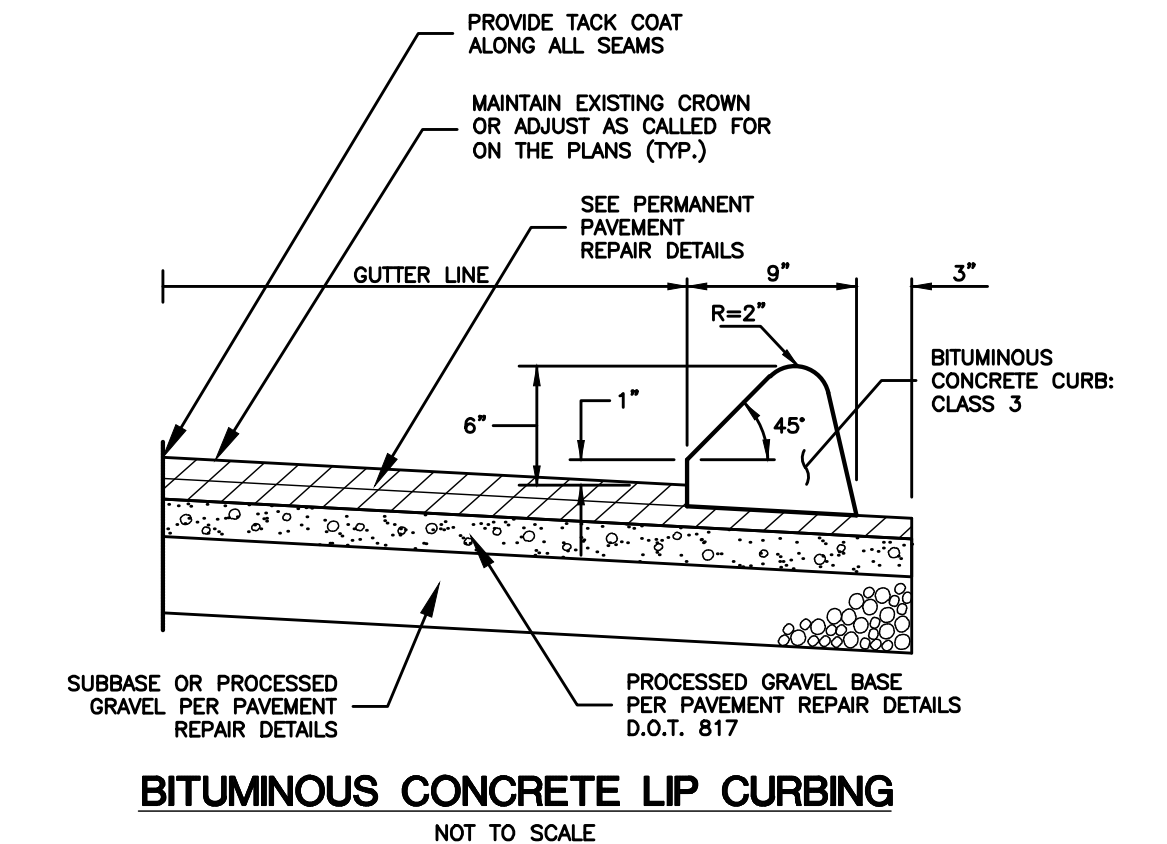
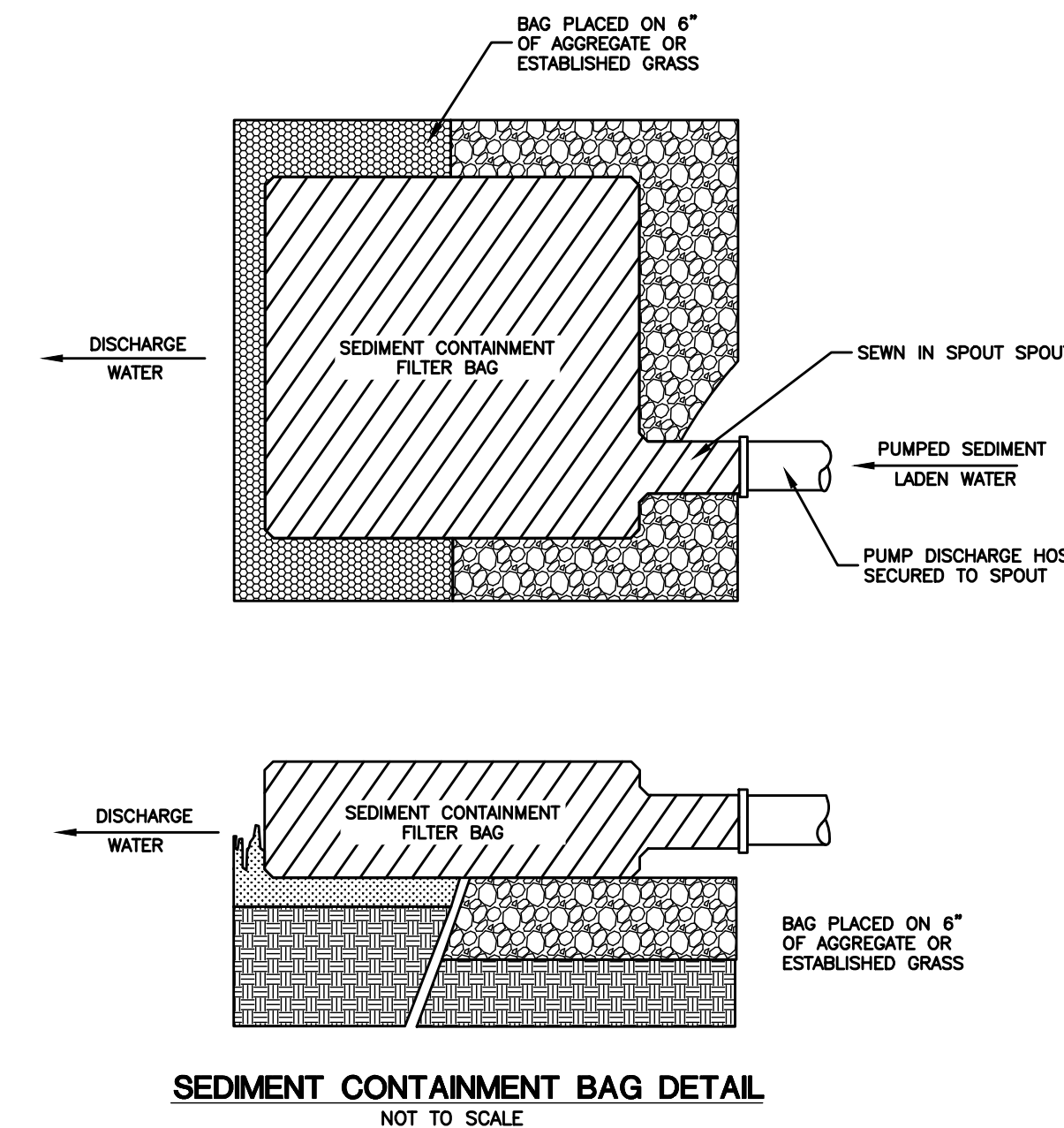
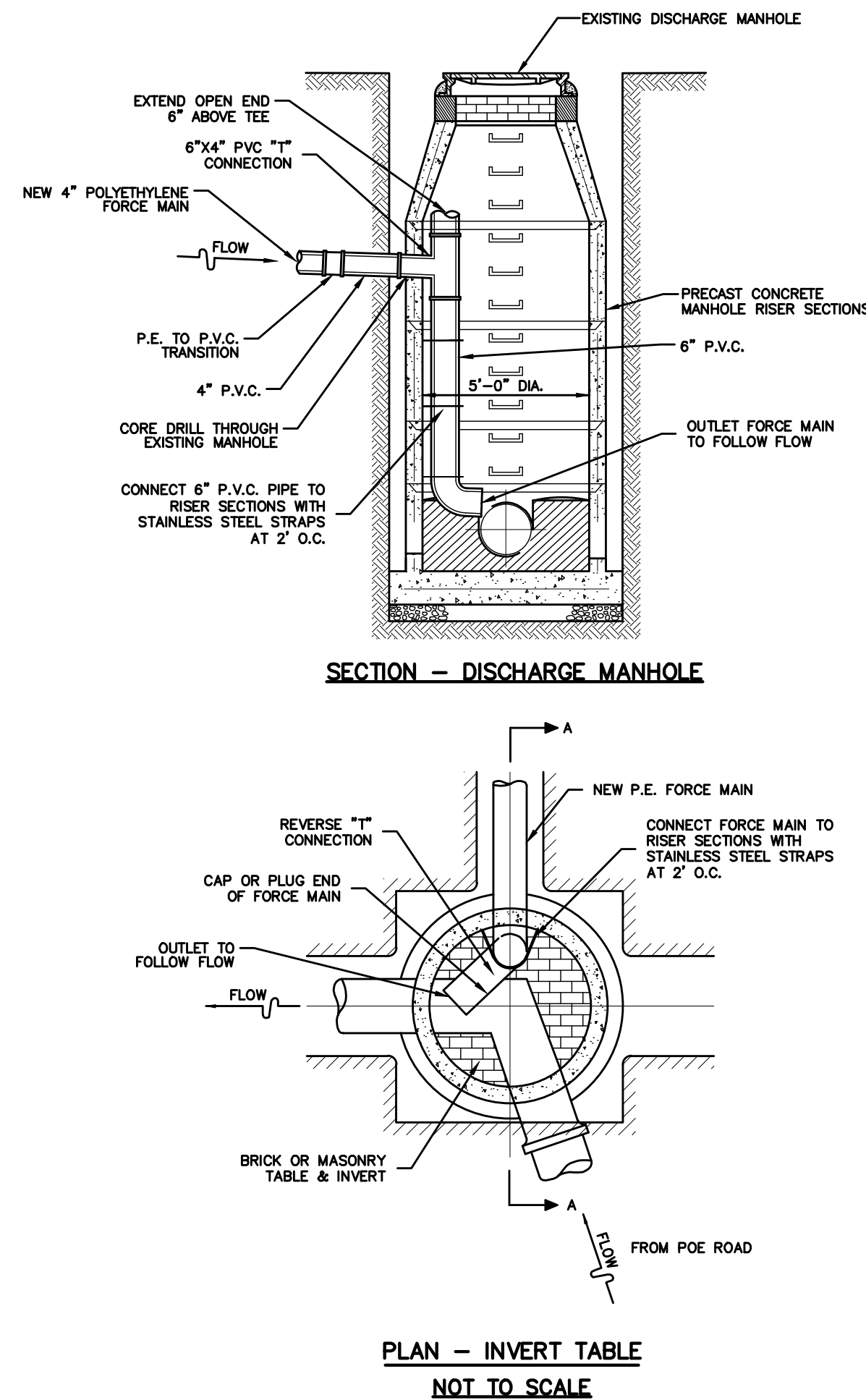


NOTES:
1. CONTRACTOR TO PROVIDE COMPACTION ON ALL TRENCH BACKFILLS, EXCAVATIONS AND PAVEMENT BASES TO NOT LESS THAN 95% OF THE DRY DENSITY FOR THAT MATERIAL.

PERMANENT PAVEMENT REPAIR (LOCAL ROADS)
NOT TO SCALE



TEMPORARY PUMPING DETAIL
Scale 1" = 4'



			CLA Engineers, Inc. CIVIL • STRUCTURAL • SURVEYING							
			317 Main Street Norwich, CT 06360 (860) 886-1968 Fax (860) 886-9165							
			Project No. CLA-6365							
			Proj. Engineer R.A.D							
			Date: 02/01/20							
			Sheet No.							
			2							
			EAST HAMPTON WPCA							
			PINE TRAIL FORCE MAIN REPLACEMENT							
			DETAILS							
<table border="1"> <tr> <th>No.</th> <th>DATE</th> <th>MISC. REVISIONS</th> </tr> <tr> <td>1</td> <td>6/21</td> <td>MISC. REVISIONS</td> </tr> </table>			No.	DATE	MISC. REVISIONS	1	6/21	MISC. REVISIONS		
No.	DATE	MISC. REVISIONS								
1	6/21	MISC. REVISIONS								

M:\6000\6300\6365 Pine Trail Force Main Drawings\6365 Details.dwg, 6/25/2021 9:23:28 AM, DWG To PDF.pc3