



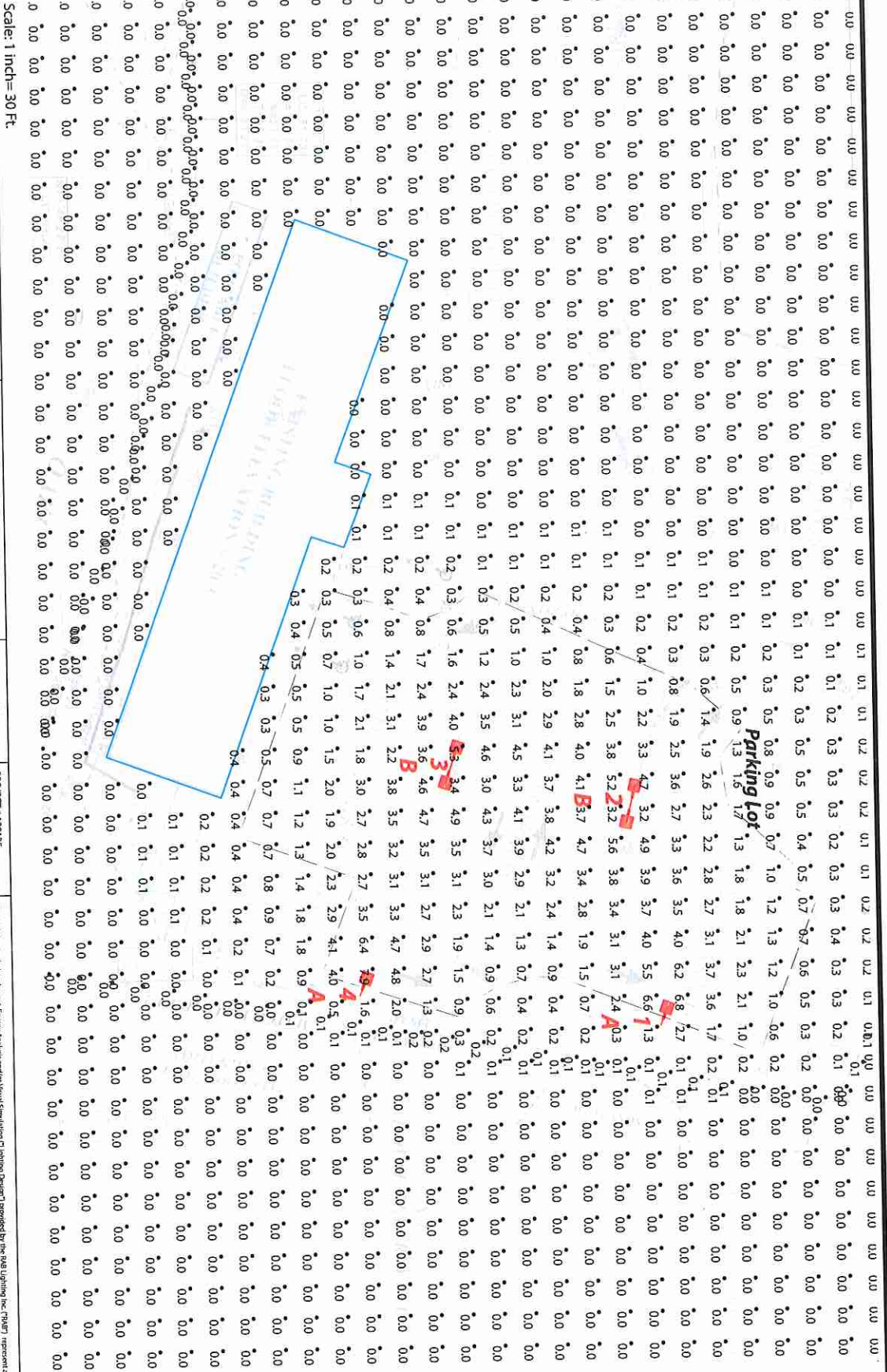
Prepared For:  
 Haberbrook Associated  
 35 Highland Ave  
 Northvale, NJ 07647  
 Tel: 988-722-1000

Job Name:  
 Clem Marina  
 Portland, CT  
 Lighting Layout  
 Version A

Filename: Clem Marina Lig Layout\_252004A.dwg  
 Drawn By: dventio

Scale: as noted  
 Date: 6/7/2019  
 CASE # 252004

PROJECT # 120125  
 The lighting layout, and/or Energy Analysis, and/or Visual Simulation ("Lighting Design") provided by the lighting designer ("RLB") represents an anticipated prediction of lighting system performance based upon design parameters and information supplied by others. These design parameters and information provided by others have not been field verified by RLB and therefore actual measured results may vary from the actual field conditions. RLB assumes no liability for design parameters and other information not field verified to reduce variation.  
 RLB neither warrants, either implied or stated, with regard to actual measured light levels or energy consumption levels as compared to those illustrated by the Lighting Design. RLB neither warrants, either implied or stated, nor represents the appropriateness of lighting levels or energy consumption levels as compared to those indicated by the Lighting Design. RLB neither warrants, either implied or stated, nor represents the appropriateness of lighting levels or energy consumption levels as compared to those indicated by the Lighting Design. RLB neither warrants, either implied or stated, nor represents the appropriateness of lighting levels or energy consumption levels as compared to those indicated by the Lighting Design. RLB neither warrants, either implied or stated, nor represents the appropriateness of lighting levels or energy consumption levels as compared to those indicated by the Lighting Design.  
 This Lighting Design is provided as a preliminary document for informational purposes and is not intended for construction nor as being part of a project's construction documentation package.



Scale: 1 inch = 30 Ft.

Calculation Summary	CalcType	Units	Avg	Max	Min	Avg/Min	Max/Min	Description
Label	ILLUMINANCE	Fc	0.02	0.2	0.0	N.A.	N.A.	Readings taken at 0'-0" AFG
Property Line	ILLUMINANCE	Fc	0.40	7.9	0.0	N.A.	N.A.	Readings taken at 0'-0" AFG
Site Lighting	ILLUMINANCE	Fc	2.85	7.9	0.5	5.30	15.80	Readings taken at 0'-0" AFG
Parking Lot	ILLUMINANCE	Fc						

Luminaire Schedule				All quotes/orders generated from this layout must be forwarded to the Local Rep Agency			
Symbol	Qty	Tag	Label	Arrangement	LF	Description	BUG Rating
	2	A	ALEDQ4T78Y	SINGLE	1,000	Type IV	B1-U0-G2
	2	B	ALED3T78Y X 2	BACK-BACK	1,000	Type III	B1-U0-G2

Luminaire Tag Summary		
Tag	Description	Qty
A	B1-U0-G2	2
B	B1-U0-G2	4

Expanded Luminaire Location Summary						
LumNo	Tag	X	Y	MTG HT	Orient	Tilt
1	A	344.625	208.195	20	159.627	0
2	B	274.33	199.797	20	166.368	0
2	B	278.218	198.855	20	346.368	0
3	B	261.103	143.132	20	161.565	0
3	B	264.897	141.868	20	341.565	0
4	A	333.647	112.252	20	157.9	0
Total Quantity: 6						

**NOTES:**

The light loss factor (LLF) is a product of many variables, only lamp lumen depreciation (LLD) has been reported in this calculation and results unless otherwise noted. The LLF is the result (quotient) of rated lumens / initial lumens per lamp manufacturer's specifications.

Illumination values shown (in footcandles) are the predicted results for planes of calculation either horizontal, vertical or inclined as designated in the calculation summary. Meter orientation is normal to the plane of calculation.

The calculated results of this lighting simulation represent an anticipated prediction of system performance. Actual measured results may vary from those shown due to field conditions and site to finish and methods which are beyond the control of RAB Lighting Inc.

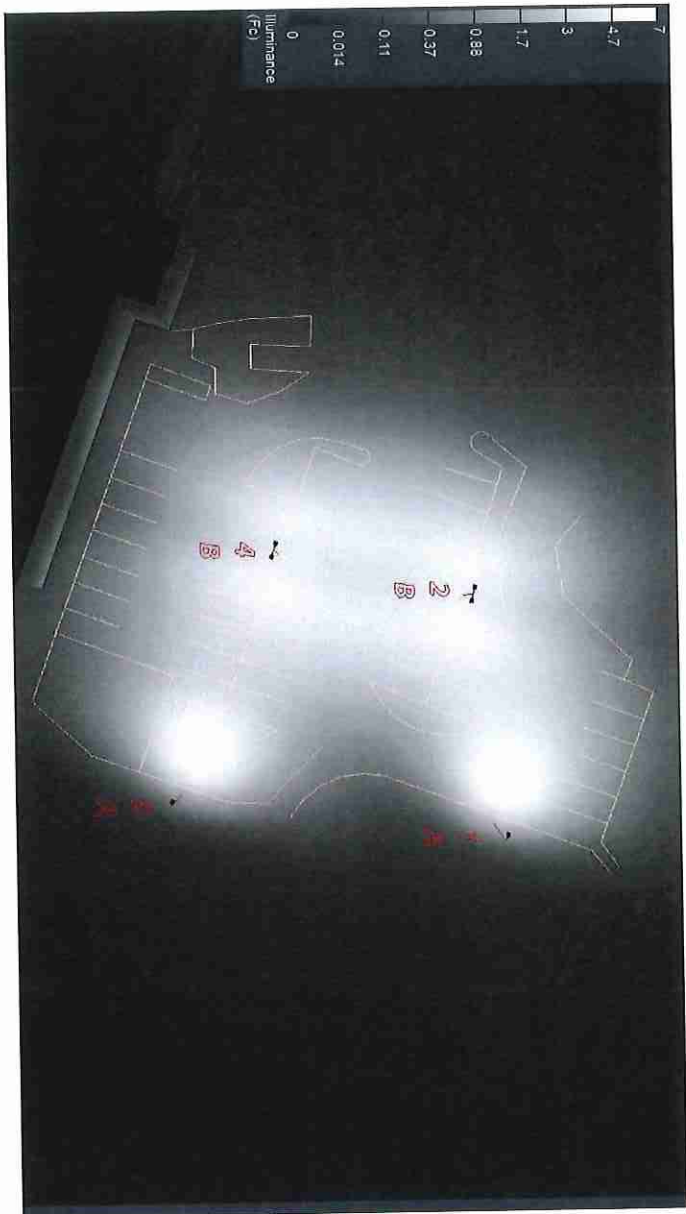
Mounting height determination is job site specific, our lighting simulations assume a mounting height (insertion point of the luminaire symbol) to be taken at the top of the symbol for ceiling mounted luminaires and at the bottom of the symbol for all other luminaire mounting configurations.

It is the Owner's responsibility to confirm the suitability of the existing or proposed poles and bases to support the proposed fixtures, based on the weight and EFM of the proposed fixture as well as the site soil conditions and wind zone. It is recommended that a professional engineer licensed to practice in the state the site is located be engaged to assist in this determination.

The landscape material shown herein is conceptual, and is not intended to be an accurate representation of any particular plant, shrub, bush, or tree, as these materials are living objects, and subject to constant change. The conceptual objects shown are for illustrative purposes only. The actual illumination values measured in the field will vary.

Photometric model elements such as buildings, rooms, plants, furnishings or any architectural details which impact the dispersion of light must be obtained by the customer or included in the RAB lighting design model. RAB is not responsible for the accuracy or completeness of information on the part of the customer. RAB reserves the right to use best judgement when rendering customer requests into photometric studies.

RAB Lighting Inc. luminaires and product designs are protected under U.S. and International Intellectual Property laws. Patents issued or pending apply.



**RAB**  
170 Lockport Avenue, Northvale, NJ 07647  
888-722-1000 • rablighting.com

Prepared For:  
RAB Lighting Inc. Attn: Richard  
35 Research Park Drive  
Rockland, MA 02370  
Tel: 781-937-0011

Job Name:  
Clem Marina  
Portland, CT  
Lighting Layout  
Version A

Filename: Z:\Lib\Project\Work\Kasson\USPS - 03M\Kasson\109971\CLM MARINA\Working Physico\CLM Marina Lig Layout 232004A.dwg

Scale: as noted  
Date: 1/2/2019  
Filename: Clem Marina Lig Layout 232004A.dwg  
Drawn By: evento

PROJECT # 120125  
CASE # 232004

The lighting fixture, layout, fixture, fixture, and/or Visual Simulation ("Lighting Design") provided by the RAB Lighting Inc. ("RAB") represent an anticipated prediction of system performance based upon design parameters and information supplied by others. These design parameters and information provided by others have not been field verified by RAB and therefore actual measured results may vary from the actual field conditions. RAB recommends that design parameters and other information be field verified to reduce variation.

RAB neither warrants, either implied or stated, with regard to actual measured light levels or energy consumption levels as compared to those illustrated by the Lighting Design. RAB neither warrants, either implied or stated, nor represents the appropriateness, completeness or accuracy and is not intended to be part of a project's construction documentation package.



Color: Bronze  
Weight: 31.4 lbs

**Technical Specifications**

**Listings**

**UL Listing:**

Suitable for wet locations as a downlight

**DLC Listed:**

This product is on the Design Lights Consortium (DLC) Qualified Products List and is eligible for rebates from DLC Member Utilities. DLC Product Code: P2DP8BD4

**IESNA LM-79 & IESNA LM-80 Testing:**

RAB LED luminaires and LED components have been tested by an independent laboratory in accordance with IESNA LM-79 and LM-80.

**Dark Sky Conformance:**

Conforms to (allows for conformance to) the requirements for the IDA's "Fixture Seal of Approval" as of March 1, 2016.

**LED Characteristics**

**Lifespan:** 100,000-hour LED lifespan based on IES LM-80 results and TM-21 calculations  
**LEDs:** Six (6) multi-chip, 13W, high-output, long-life LEDs

**Color Consistency:** 3-step MacAdam Ellipse binning to achieve consistent fixture-to-fixture color

**Color Stability:**

LED color temperature is warranted to shift no more than 200K in CCT over a 5-year period

**Color Uniformity:**

RAB's range of CCT (Correlated Color Temperature) follows the guidelines of the American National Standard for Specifications for the Chromaticity of Solid State Lighting (SSL)

**Construction**

Products, ANSI C78.377-2017.

**IES Classification:**

The Type IV distribution (also known as a Forward Throw) is especially suited for mounting on the sides of buildings and walls, and for illuminating the perimeter of parking areas. It produces a semi-circular distribution with essentially the same candlepower at lateral angles from 90° to 270°.

**Effective Projected Area:**

EPA = 0.75

**Ambient Temperature:**

Suitable For use in 40°C (104°F)

**Cold Weather Starting:**

Minimum starting temperature is -40°C (-40°F)

**Thermal Management:**

Superior heat sinking with external Air-Flow fins

**Lens:**

Tempered glass lens

**Housing:**

Die cast aluminum housing, lens frame and mounting arm

**IP Rating:**

Ingress Protection rating of IP66 for dust and water

**Mounting:**

Universal mounting arm compatible for hole spacing patterns from 1" to 5 1/2" center to center. Round Pole Adaptor plate included as a standard. Easy slide and lock to mount fixture with ease. Round pole diameter must be >.4" to mount fixtures at 90° orientation.

**Reflector:**

Specular vacuum-metallized polycarbonate

**Driver Info**

Type Constant Current

120V 0.66A

208V 0.41A

240V 0.35A

277V 0.30A

Input Watts 77.1W

Efficiency N/A

**LED Info**

Watts 78W

Color Temp 3000K (Warm)

Color Accuracy 71 CRI

L70 Lifespan 100,000

Lumens 9,611

Efficacy 124.7 LPW

Project:

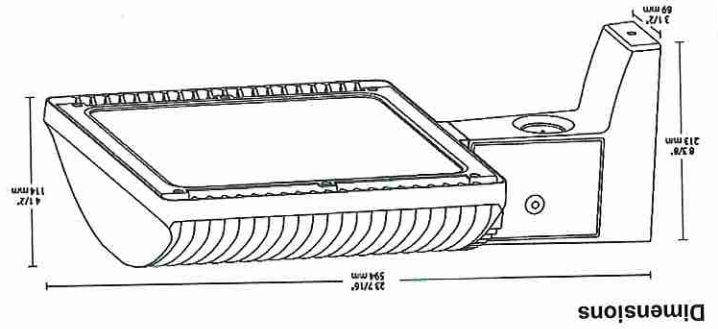
Prepared By:

Type:

Date:

**Technical Specifications (continued)**

<p><b>Construction</b></p> <p><b>Gaskets:</b> High-temperature silicone gaskets</p> <p><b>Finish:</b> Formulated for high durability and long-lasting color</p> <p><b>Green Technology:</b> Mercury and UV free. RoHS-compliant components.</p> <p><b>Electrical</b></p> <p><b>THD:</b> 5.0% at 120V, 13% at 277V</p> <p><b>Surge Protection:</b> 4kV</p>	<p><b>Driver:</b> Constant Current, Class 2, 2000mA, 100-277V, 50-60Hz, 1.1A, Power Factor 99%</p> <p><b>Power Factor:</b> 99.5% at 120V, 93.6% at 277V</p> <p><b>Other</b></p> <p><b>Patents:</b> The ALED design is protected by patents in the U.S. Pat. 668,370, Canada Pat. 144956, China ZL201230100154.X, and Mexico Pat. 38423. Pending patents in Taiwan.</p> <p><b>BAA Compliance:</b> Click here for BAA compliance.</p> <p><b>Warranty:</b> RAB warrants that our LED products will be free from defects in materials and workmanship for a period of five (5) years from the date of delivery to the end user, including coverage of light output, color stability, driver performance and fixture finish. RAB's warranty is subject to all terms and conditions found at <a href="http://rablighting.com/warranty">rablighting.com/warranty</a>.</p>
<p><b>Equivalency:</b> Equivalent to 250W Metal Halide</p> <p><b>Buy American Act Compliance:</b> RAB values USA manufacturing! Upon request, RAB may be able to manufacture this product to be compliant with the Buy American Act (BAA). Please contact customer service to request a quote for the product to be made BAA compliant.</p> <p><b>Optical</b></p> <p><b>BUG Rating:</b> B1 U0 G2</p>	<p><b>Features</b></p> <p>66% energy cost savings vs. HID</p> <p>100,000-hour LED lifespan</p> <p>5-Year, No-Compromise Warranty</p>



**Dimensions**

# ALED4T78Y

## Ordering Matrix

Family	ALED												
Optics	4T	4T = Type IV	3T = Type III	105 = 105W	78 = 78W	50 = 50W	78 = 78W	105 = 105W	125 = 125W	150 = 150W			
Wattage	78												
Mounting		Blank = Pole mount	SF = Slipfitter										
Color Temp	Y	Blank = 5000K (Cool)	N = 4000K (Neutral)	Y = 3000K (Warm)									
Finish		Blank = Bronze	RG = Roadway	W = White	K = Black								
Driver Options		Blank =	120-277V	/480 = 480V	/BL = Bi-Level Dimming								
Options		Blank = No Option	/LC = Lightcloud® Controller	/PCS = 120V Swivel Photocell	/PCS2 = 277V Swivel Photocell	/PCT = 120-277V Twistlock Photocell	/PCS4 = 480V Swivel Photocell	/PCT4 = 480V Twistlock Photocell	/WS2 = Multi-Level Motion Sensor 20 ft.	/WS4 = Multi-Level Motion Sensor 40 ft.			
Other Options		Blank = Standard USA = BAA Compliant											



Color: Bronze  
Weight: 31.4 lbs

Project:

Prepared By:

Type:

Date:

**Driver Info**

Type	Constant Current	Watts	78W
120V	0.66A	Color Temp	3000K (Warm)
208V	0.41A	Color Accuracy	70 CRI
240V	0.35A	L70 Lifespan	100,000
277V	0.30A	Lumens	8,765
Input Watts	76.8W	Efficacy	114.1 LPW
Efficiency	N/A		

**Effective Projected Area:**

EPA = 0.75

**Lens:**

Tempered glass lens

**Housing:**

Die cast aluminum housing, lens frame and mounting arm

**Mounting:**

Universal mounting arm compatible for hole spacing patterns from 1" to 5 1/2" center to center. Round Pole Adaptor plate included as a standard. Easy slide and lock to mount fixture with ease. Round pole diameter must be >4" to mount fixtures at 90° orientation.

**Reflector:**

Specular vacuum-metallized polycarbonate

**UL Listing:**

Suitable for wet locations as a downlight

**Dark Sky Conformance:**

Conforms to (allows for conformance to) the requirements for the IDA's "Fixture Seal of Approval" as of March 1, 2016.

**Construction**

The Type III distribution is ideal for roadway, general parking and other area lighting applications where a larger pool of lighting is required. It is intended to be located near the side of the area, allowing the light to project outward and fill the area.

**IP Rating:**

Ingress Protection rating of IP66 for dust and water

**Ambient Temperature:**

Suitable For use in 40°C (104°F)

**Cold Weather Starting:**

Minimum starting temperature is -40°C (-40°F)

**Thermal Management:**

Superior heat sinking with external Air-Flow fins

**Technical Specifications**

**LED Characteristics**

**Lifespan:**

100,000-hour LED lifespan based on IES LM-80 results and TM-21 calculations

**LEDs:**

Six (6) multi-chip, 13W, high-output, long-life LEDs

**Color Consistency:**

3-step Macadam Ellipse binning to achieve consistent fixture-to-fixture color

**Color Stability:**

LED color temperature is warranted to shift no more than 200K in CCT over a 5-year period

**Color Uniformity:**

RAB's range of CCT (Correlated Color Temperature) follows the guidelines of the American National Standard for Specifications for the Chromaticity of Solid State Lighting (SSL) Products, ANSI C78.377-2017.

**Listings**

**DLC Listed:**

This product is on the Design Lights Consortium (DLC) Qualified Products List and is eligible for rebates from DLC Member Utilities. DLC Product Code: P0000179T

**IESNA LM-79 & IESNA LM-80 Testing:**

RAB LED luminaires and LED components have been tested by an independent laboratory in accordance with IESNA LM-79 and LM-80.

**Technical Specifications (continued)**

**Construction**

**Gaskets:** Constant Current, Class 2, 2000mA, 100-277V, 50-60Hz, 1.1A, Power Factor 99%

**Gaskets:** High-temperature silicone gaskets

**Finish:** Formulated for high durability and long-lasting color

**Green Technology:**

Mercury and UV free. RoHS-compliant components.

**Electrical**

**THD:** 4.4% at 120V, 12.4% at 277V

**Surge Protection:** 4kV

**Driver:**

Constant Current, Class 2, 2000mA, 100-277V, 50-60Hz, 1.1A, Power Factor 99%

**Power Factor:**

99.5% at 120V, 93.5% at 277V

**Other**

The ALED design is protected by patents in the U.S. Pat. 668,370, Canada Pat. 144956, China ZL201230100154.X, and Mexico Pat. 38423.

**Warranty:**

RAB warrants that our LED products will be free from defects in materials and workmanship for a period of five (5) years from the date of delivery to the end user, including coverage of light output, color stability, driver performance and fixture finish. RAB's warranty is subject to all terms and conditions found at [rablighting.com/warranty](http://rablighting.com/warranty).

**BAA Compliance:**

Click [here](#) for BAA compliance.

**BUG Rating:**

B1 U0 G2

**Optical**

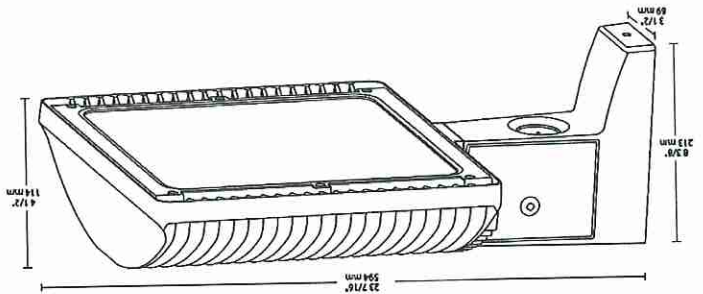
RAB values USA manufacturing! Upon request, RAB may be able to manufacture this product to be compliant with the Buy American Act (BAA). Please contact customer service to request a quote for the product to be made BAA compliant.

**Buy American Act Compliance:**

Equivalent to 250W Metal Halide

**Equivalency:**

**Dimensions**



**Features**

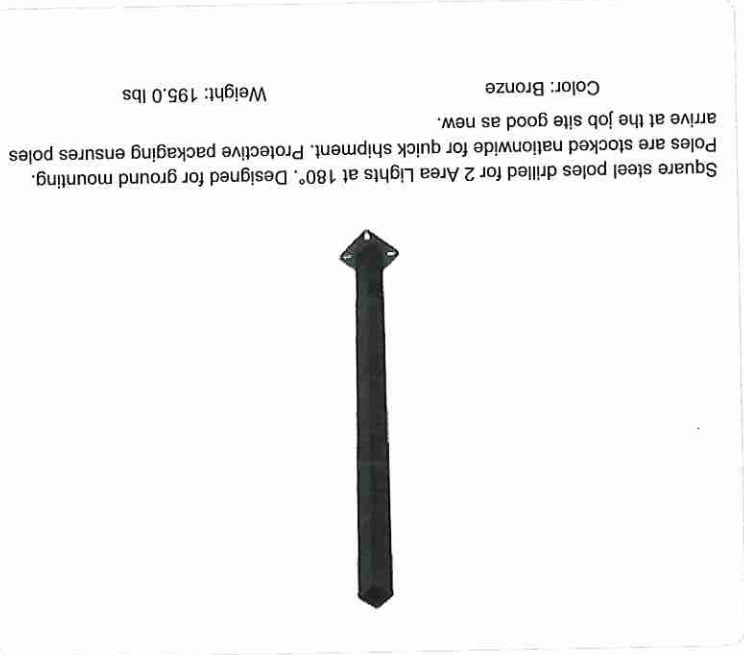
66% energy cost savings vs. HID  
100,000-hour LED lifespan  
5-Year, No-Compromise Warranty

# ALED3T78Y

## Ordering Matrix

Family	Optics	Wattage	Mounting	Color Temp	Finish	Driver Options	Options	Other Options
ALED	3T	78		Y				
	4T = Type IV	50 = 50W	Blank = Pole mount	Blank = 5000K (Cool)	Blank = Bronze	Blank =	Blank = No Option	Blank = Standard
	3T = Type III	78 = 78W	SF = Slipfitter	N = 4000K (Neutral)	RG = Roadway	120-277V	L/C = Lightcloud® Controller	USA = BAA Compliant
	2T = Type II	105 = 105W		Y = 3000K (Warm)	W = White	/480 = 480V	/PCS = 120V Swivel Photocell	
		125 = 125W			K = Black	/D10 = 0-10V Dimming	/PCS2 = 277V Swivel Photocell	
		150 = 150W					/PCT = 120-277V Swivel Photocell	
							Twistlock Photocell	
							/PCS4 = 480V Swivel Photocell	
							/PCT4 = 480V Swivel Photocell	
							Twistlock Photocell	
							Motion Sensor 20 ft. /WS2 = Multi-Level	
							Motion Sensor 40 ft. /WS4 = Multi-Level	





**Technical Specifications**

**Listings**  
 CSA Listed: Suitable for wet locations  
**Construction**  
 Shaft: 46,000 p.s.i. minimum yield.  
**Hand Holes:** Reinforced with grounding lug and removable cover  
**Base Plates:** 36,000 p.s.i. minimum yield.  
**Shipping Protection:** All poles are shipped in individual corrugated cartons to prevent finish damage  
**Color:** Bronze powder coating  
**Height:** 20 FT

**Weight:** 195 lbs  
**Gauge:** 7  
**Wall Thickness:** 3/16"  
**Shaft Size:** 4"  
**Hand Hole Dimensions:** 3" x 5"  
**Bolt Circle:** 8 1/2"  
**Base Dimension:** 8"

**Anchor Bolt:** Galvanized anchor bolts and galvanized hardware and anchor bolt template. All bolts have a 3" hook.  
**Anchor Bolt Templates:** WARNING Template must be printed on 11" x 17" sheet for actual size. CHECK SCALE BEFORE USING. Templates shipped with anchor bolts and available online.  
**Pre-Shipped Anchor Bolts:** Bolts can be pre-shipped upon request for additional freight charge  
**Max EPA's/Max Weights:** 70MPH 16.2 ft./390 lb.  
 80MPH 11.8 ft./285 lb.  
 90MPH 8.7 ft./205 lb.  
 100MPH 6.3 ft./150 lb.  
 110MPH 4.5 ft./110 lb.  
 120MPH 3.1 ft./75 lb.  
 130MPH 2.0 ft./50 lb.  
 140MPH 1.1 ft./30 lb.  
 150MPH 0.4 ft./10 lb.  
**Accessories:** Anchor Bolts: ABK4-07

Project:	<input type="text"/>
Prepared By:	<input type="text"/>
Type:	<input type="text"/>
Date:	<input type="text"/>

**Technical Specifications (continued)**

**Other**

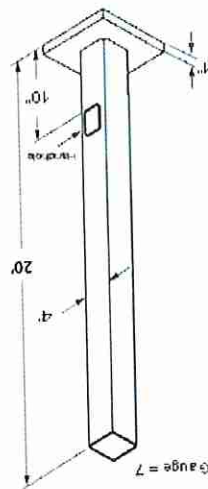
**Terms of Sale:**

Pole Terms of Sale is available online.

RAB values USA manufacturing! Upon request, RAB may be able to manufacture this product to be compliant with the Buy American Act (BAA). Please contact customer service to request a quote for the product to be made BAA compliant.

**Buy American Act Compliance:**

**Dimensions**



**Features**

- Designed for ground mounting
- Heavy duty TGIC polyester coating
- Reinforced hand holes with grounding lug and removable cover for easy wiring access
- Anchor Bolt Kit includes pole cap and base cover (sold separately)
- Custom manufactured for each application

631 Airport Road, Fall River, MA 02720 • (508) 679-8131 • Fax (508) 674-4710  
 We reserve the right to change details of design, materials and finish.  
 www.lightolier.com © 2011 Philips Group • D0711

<b>Job Information</b>	<b>Type:</b>
<b>Job Name:</b>	
<b>Cat. No.:</b>	
<b>Lamp(s):</b>	
<b>Notes:</b>	

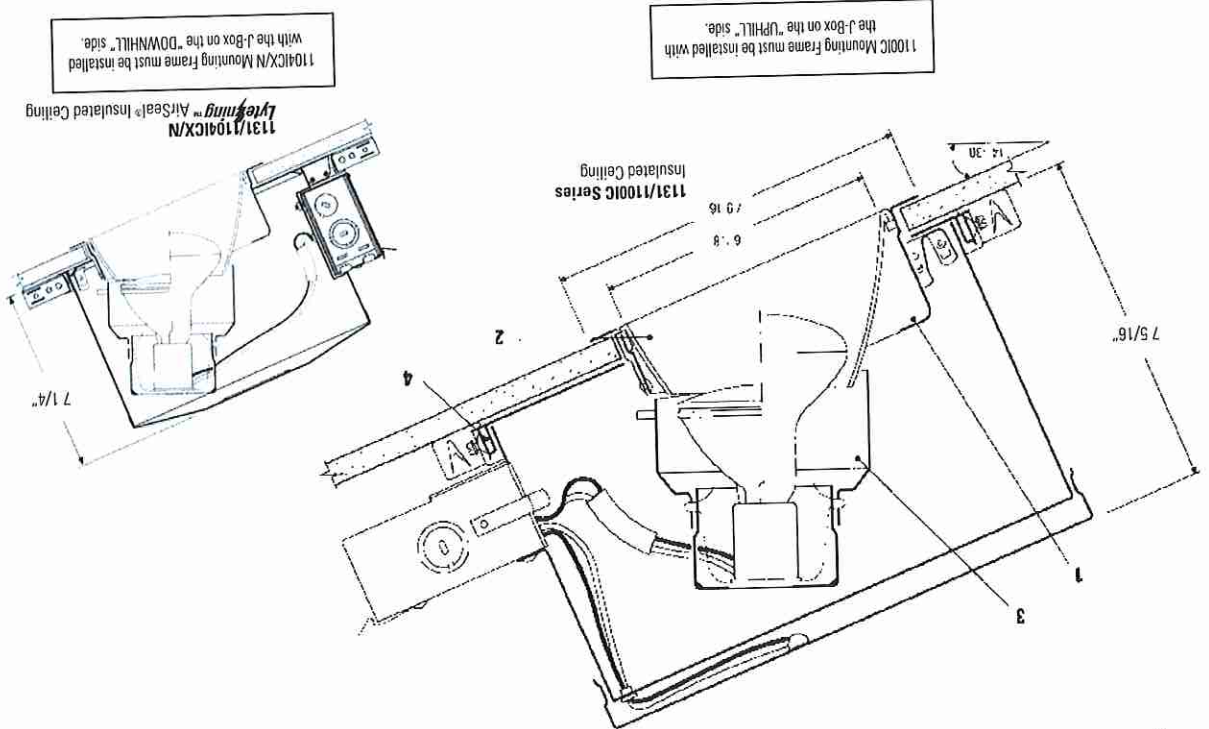
**Options & Accessories**  
 Extra Wide Flange Trim Ring: 1954 - 8 5/8" O.D.

- 1. Housing:** Hydroformed aluminum, .040" thick; white trim flange.
- 2. Aperture:** Conical aluminum step baffle, matte black or gloss white finish; or hydroformed aluminum cone, specular finish. For ceiling slopes 14° - 30° angle, 3/12 - 7/12 pitch.
- 3. Lamp Housing:** Hydroformed aluminum, .040" thick; permits ± 7° vertical adjustment for straight downlighting.
- 4. Frame-In Kit:** See Frame-In Kit specification sheets for more details.

**Labels**  
 UL (Suitable for Damp Locations), I.B.E.W.

Reflector Trim		Frame-In Kit — See Individual Frame-In Kit Specification Sheets			
1131	Black Step Baffle	Frame-In Kit	Installation Type	Lamping	Height
1131WH	White Step Baffle	1100IC	IC	75W PAR30 (Short Neck)	7 5/16"
1131GD	Specular Gold	1100AICM	AirSeal® IC	75W PAR30 (Short Neck)	7 5/16"
1131CL	Specular Clear	1104ICX/N	AirSeal® IC	75W PAR30 (Short Neck)	7 1/4"
1131BK	Specular Black			85W BR30	

Complete Fixture consists of Reflector Trim & Frame-In Kit. Select each separately.



1104ICX/N Mounting Frame must be installed with the J-Box on the "DOWNHILL" side.

1100IC Mounting Frame must be installed with the J-Box on the "UPHILL" side.

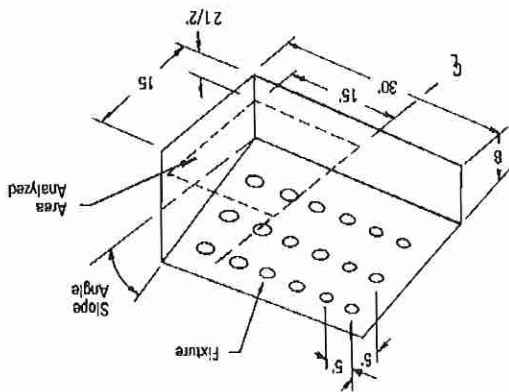
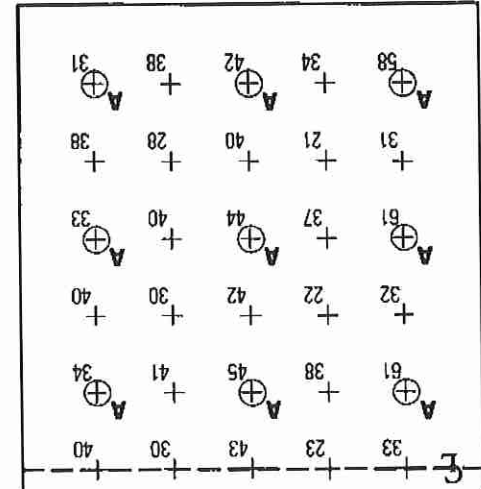
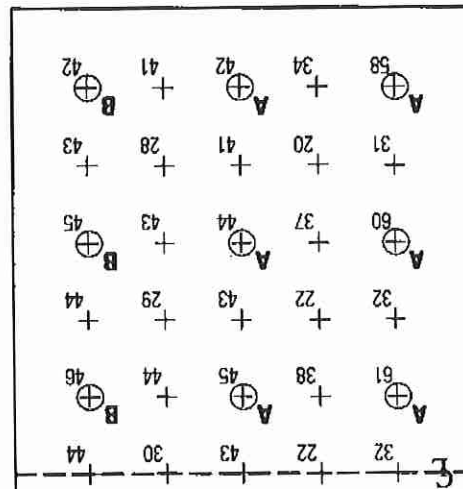
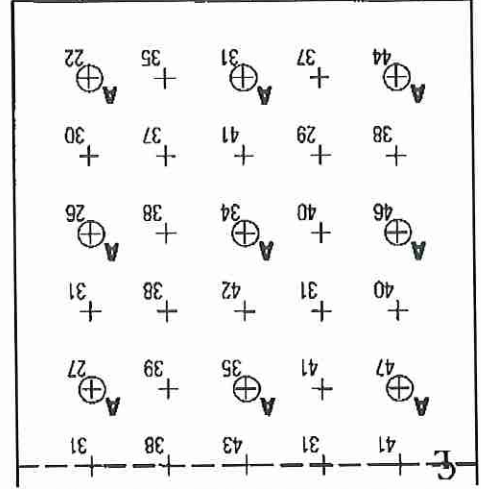
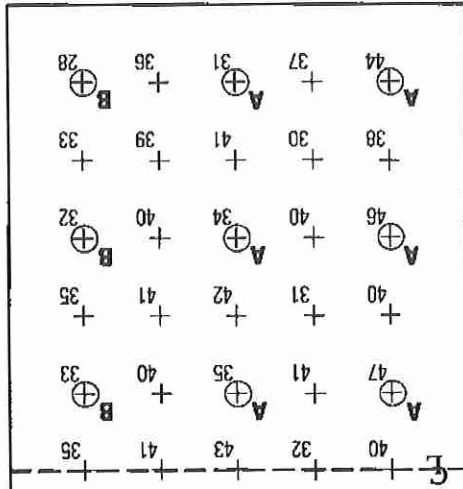
1131/1104ICX/N  
 LyeSeal™ AirSeal® Insulated Ceiling

1131/1100IC Series  
 Insulated Ceiling

631 Airport Road, Fall River, MA 02720 • (508) 679-8131 • Fax (508) 674-4710  
 We reserve the right to change details of design, materials and finish.  
 www.lightolier.com © 2011 Philips Group • D0711

**Job Information** **Type:**

Data calculated with GENESYS using bare lamp photometrics. Fixture spacing exceeding 5' may cause uneven lighting under lowest ceiling areas. To convert lighting data for a lower wattage incandescent lamp of the same type, multiply the footcandle (or candlepower) values by the ratio of the lumens of the two lamps. The coefficients of utilization remain the same.



**B** = 75W PAR30 NFL (Narrow Flood)

**A** = 75W PAR30 FL (Flood)

Room reflectances: 80% ceiling, 50% walls, 20% floor.

room with sloped ceiling.

Fixture mounted on 5' x 5' centers (horizontally) in 15' x 30'

**Footcandles 2 1/2' Above the Floor**

# PHILIPS LIGHTOLIER

more details.

- 1. Reflector:** Hydroformed aluminum, .040" minimum thickness; Anodrite® (anodic-processed) semi-specular finish for permanent reflectivity; matte white or Natural Metal™ trim flange.
- 2. Aperture Cone:** Aluminum cone painted or anodized finish.
- 3. Frame-In Kit:** (1102P1 standard frame shown). Other frames listed above and shown on the right. See Frame-In Kit specification sheets for

## Labels

Lytegems: See 1500 Series Specification Sheets  
 Reaining Clips: 1955 - For installing in existing ceiling  
 Extra Wide Flange Trim Ring: 1954 - 8-5/8" O.D.  
 Spread Lens: L56WWLENS - Proprietary spread lens for use with combination of wall washer optics and LED Frame-In Kits.

U.L. (Suitable for Damp Locations); I.B.E.V.

## Options and Accessories

## Features

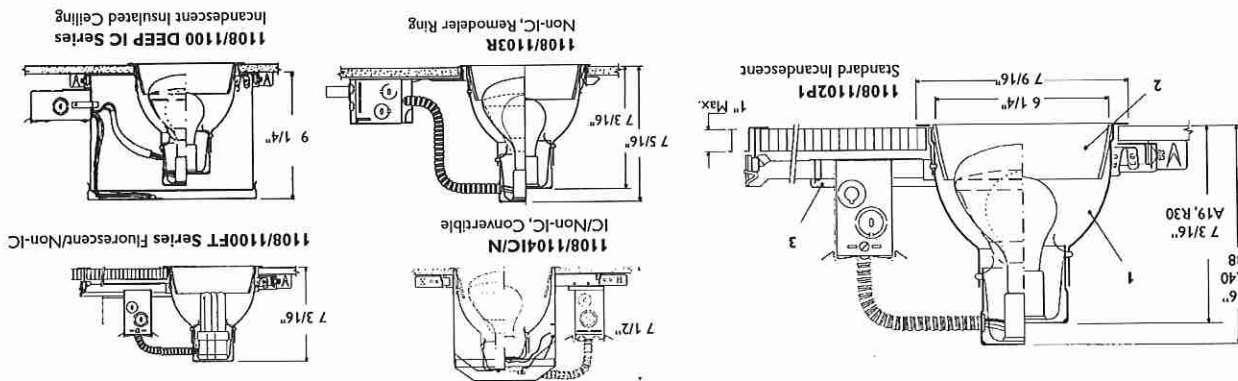
Reflector Trim	Frame-In Kit	Installation Type	Lamping	Height	Frame-In Kit	Installation Type	Lamping	Height	Fluorescent	Reflector Trim
1108*	1104F13 series	IC	(1) Quad/Triple 13W (GX24q-1)	7 1/2"	1102P1	Non-IC Remodeler	100W A19, PAR38, BR40	7 3/16" - 7 15/16"	Brushed Gold	1108*
1108*	1104F18 series	IC	(1) Quad/Triple 18W (GX24q-2)	7 1/2"	1103R	Non-IC Remodeler	150W A21, PAR38, BR40	7 3/16" - 7 15/16"	Brushed Clear	1110*
1108*	1104F26 series	IC	(1) Quad/Triple 26W (GX24q-3)	7 1/2"	1100IC	IC	75W A19	7 5/16"	Specular Gold	1112
1108*	1100AICMFT	AirSeal® IC	(1) Triple 26/32W (GX24q-3)	6 7/8"	1100AICM	AirSeal IC	90W PAR38	7 5/16"	Specular Black	1113*
1108*	1101F18ICU/N	Performance IC	(1) Quad/Triple 18W (GX24q-2)	7 1/4"	1100DAICM	Deep AirSeal IC	100W BR40	9 1/4"	Specular Clear	1113B*
1108*	1101F2642ICU	Performance IC	(1) Triple 26/32W (GX24q-3)	7 1/4"	1104ICX/N	AirSeal IC	60W A19 120W BR40 120W (100W) 100W PAR38 (90W)	7 1/4"	Specular Black	1113CD*
1108*	1101F2642IUN	Performance IC	(1) Triple 26/32W (GX24q-3)	7 1/4"	1104IC/N	AirSeal IC	60W A19 (52W) 75W PAR38 65W BR40	7 1/2"	Clear Diffuse	1113WH
1108*	1101FDICMX2/N	Performance IC, Advance Mark10, Dimming 120V (GX24q-3)	(1) Triple 26/32W (GX24q-3)	7 1/4"	1104ICR	IC Remodeler	100W A19 (75W) PAR38	7 1/2"	White Flange	1113WH
1108*	1101F18U series	UniFrame™ Non-IC	(1) Quad/Triple 18W (GX24q-2)	7 1/16" max	1104ICR	Non-IC Remodeler	150W BR40	7 1/2"	Matte White	1101F18U series
1108*	1101F2642U series	UniFrame™ Non-IC	(1) Triple 26/32W (GX24q-3)	7 3/16"	1101LED	Non-IC				1101F2642U series

Frame-In Kit — See Individual Frame-In Kit Specification Sheets

## Ordering guide

Complete Fixture consists of Reflector Trim & Frame-In Kit. Select each separately.

example: 1112 + 1101LED



Notes:

Location:

Fixture Type:

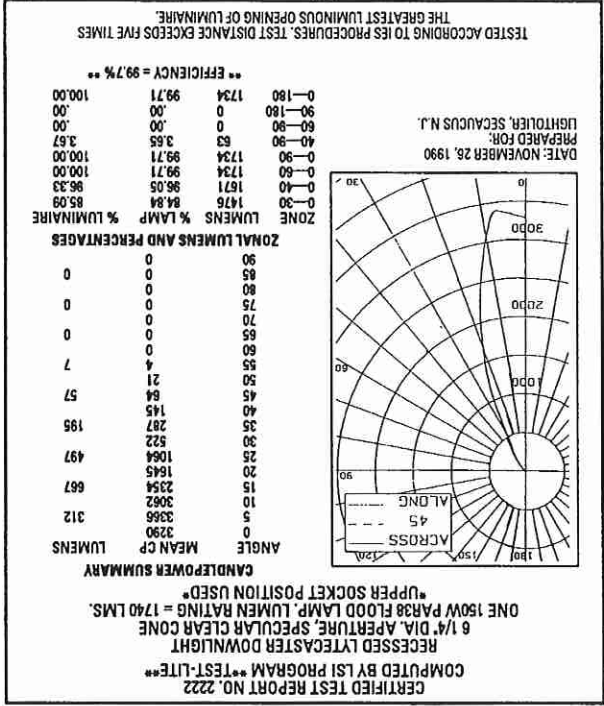
Qty:

Project:

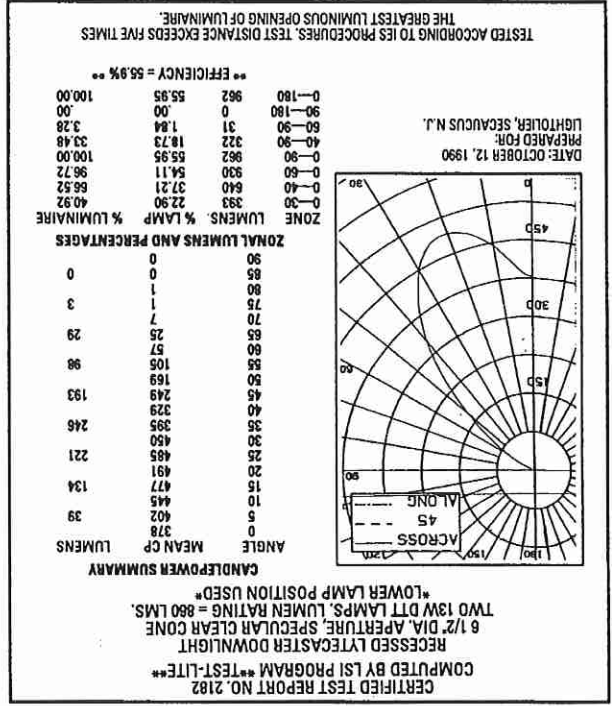
Catalog No:

Lamps:

SPACING RATIO = 0.7



SPACING RATIO = 1.5



COEFFICIENTS OF UTILIZATION

% EFFECTIVE CEILING CAVITY REFLECTANCE

ROOM CAVITY RATIO	0	10	30	50	70	80
1	0.97	0.98	0.99	1.00	1.01	1.01
2	0.97	0.98	0.99	1.00	1.01	1.01
3	0.97	0.98	0.99	1.00	1.01	1.01
4	0.97	0.98	0.99	1.00	1.01	1.01
5	0.97	0.98	0.99	1.00	1.01	1.01
6	0.97	0.98	0.99	1.00	1.01	1.01
7	0.97	0.98	0.99	1.00	1.01	1.01
8	0.97	0.98	0.99	1.00	1.01	1.01
9	0.97	0.98	0.99	1.00	1.01	1.01
10	0.97	0.98	0.99	1.00	1.01	1.01

20% FLOOR CAVITY REFLECTANCE

ROOM CAVITY RATIO	0	10	30	50	70	80
1	0.97	0.98	0.99	1.00	1.01	1.01
2	0.97	0.98	0.99	1.00	1.01	1.01
3	0.97	0.98	0.99	1.00	1.01	1.01
4	0.97	0.98	0.99	1.00	1.01	1.01
5	0.97	0.98	0.99	1.00	1.01	1.01
6	0.97	0.98	0.99	1.00	1.01	1.01
7	0.97	0.98	0.99	1.00	1.01	1.01
8	0.97	0.98	0.99	1.00	1.01	1.01
9	0.97	0.98	0.99	1.00	1.01	1.01
10	0.97	0.98	0.99	1.00	1.01	1.01

Conversion Factor: 150W PAR38 FL: White, C.U. x 0.95; Black, C.U. x 0.85  
and Gold, C.U. x 1.0; White, C.U. x 0.95; Black, C.U. x 0.85

COEFFICIENTS OF UTILIZATION

% EFFECTIVE CEILING CAVITY REFLECTANCE

ROOM CAVITY RATIO	0	10	30	50	70	80
1	0.51	0.52	0.53	0.54	0.55	0.55
2	0.51	0.52	0.53	0.54	0.55	0.55
3	0.51	0.52	0.53	0.54	0.55	0.55
4	0.51	0.52	0.53	0.54	0.55	0.55
5	0.51	0.52	0.53	0.54	0.55	0.55
6	0.51	0.52	0.53	0.54	0.55	0.55
7	0.51	0.52	0.53	0.54	0.55	0.55
8	0.51	0.52	0.53	0.54	0.55	0.55
9	0.51	0.52	0.53	0.54	0.55	0.55
10	0.51	0.52	0.53	0.54	0.55	0.55

20% FLOOR CAVITY REFLECTANCE

ROOM CAVITY RATIO	0	10	30	50	70	80
1	0.51	0.52	0.53	0.54	0.55	0.55
2	0.51	0.52	0.53	0.54	0.55	0.55
3	0.51	0.52	0.53	0.54	0.55	0.55
4	0.51	0.52	0.53	0.54	0.55	0.55
5	0.51	0.52	0.53	0.54	0.55	0.55
6	0.51	0.52	0.53	0.54	0.55	0.55
7	0.51	0.52	0.53	0.54	0.55	0.55
8	0.51	0.52	0.53	0.54	0.55	0.55
9	0.51	0.52	0.53	0.54	0.55	0.55
10	0.51	0.52	0.53	0.54	0.55	0.55

Conversion Factors: 2 Lt. 13W Quad Tube: White, C.U. x 0.7; Black, C.U. x 0.65, 1 Lt. 13 Quad Tube: Clear & Gold, C.U. x 1.15; White, C.U. x 1.1; Black, C.U. x 0.85, 100W A19 and 150W A21: Clear & Gold, C.U. x 1.15; White, C.U. x 1.1; Black, C.U. x 0.8.

To convert lighting data for a lower wattage incandescent lamp of the same type, multiply the footcandle (or candlepower) values by the ratio of the lumens of the two lamps. The coefficients of utilization remain the same.



©2015 Koninklijke Philips N.V. All rights reserved.  
Philips reserves the right to make changes in specifications and/or to discontinue any product at any time without notice or obligation and will not be liable for any consequences resulting from the use of this publication.  
philips.com/luminaires  
1108 01/16

Philips Lighting  
North America Corporation  
200 Franklin Square Drive,  
Somerset, NJ 08873  
Tel. 855-486-2216  
Philips Lighting Canada Ltd.  
281 Hillmount Rd.,  
Markham, ON,  
Canada L6C 2S3  
Tel. 800-668-9008