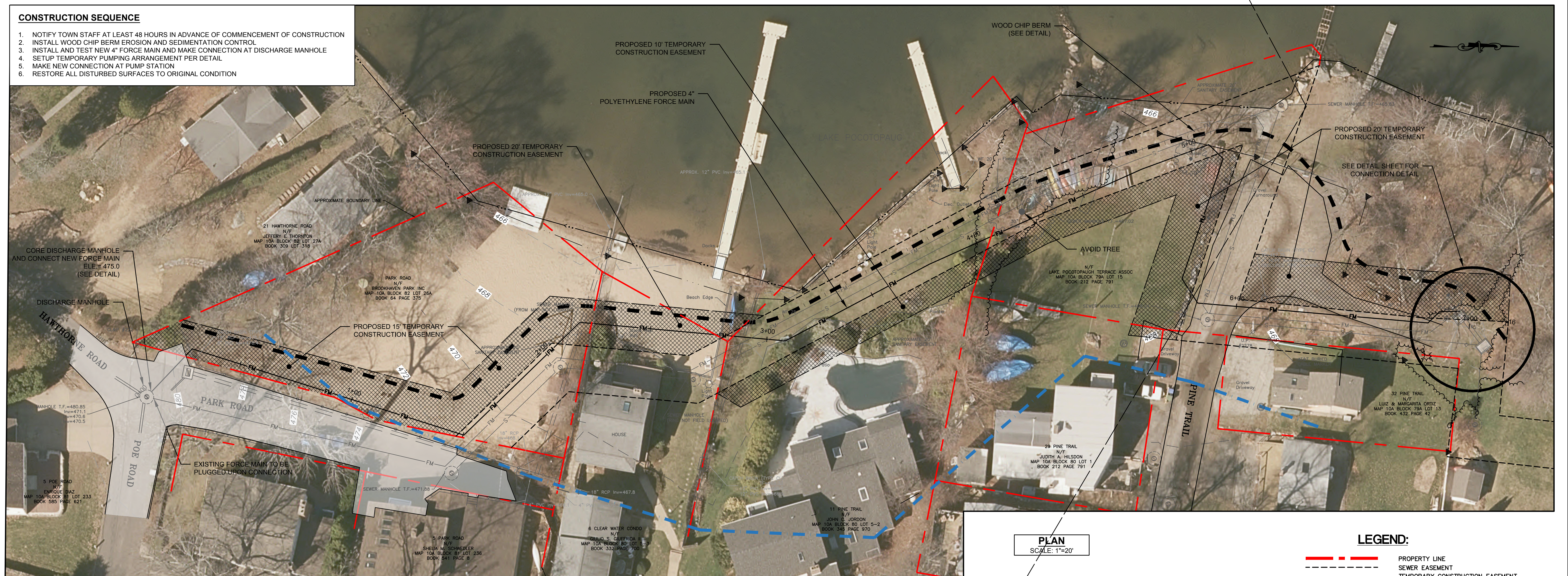


CONSTRUCTION SEQUENCE

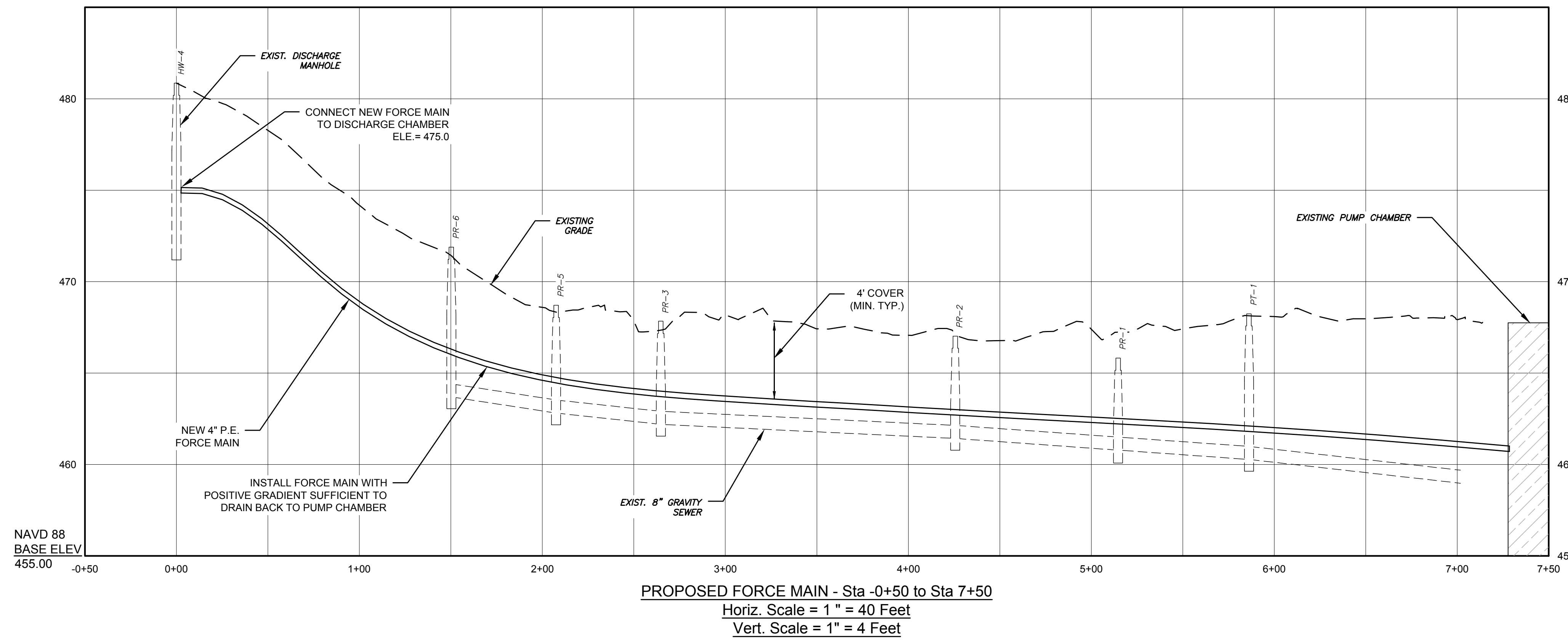
1. NOTIFY TOWN STAFF AT LEAST 48 HOURS IN ADVANCE OF COMMENCEMENT OF CONSTRUCTION
2. INSTALL WOOD CHIP BERM EROSION AND SEDIMENTATION CONTROL
3. INSTALL AND TEST NEW 4" FORCE MAIN AND MAKE CONNECTION AT DISCHARGE MANHOLE
4. SETUP TEMPORARY PUMPING ARRANGEMENT PER DETAIL
5. MAKE NEW CONNECTION AT PUMP STATION
6. RESTORE ALL DISTURBED SURFACES TO ORIGINAL CONDITION



PLAN
SCALE: 1"=20'

LEGEND:

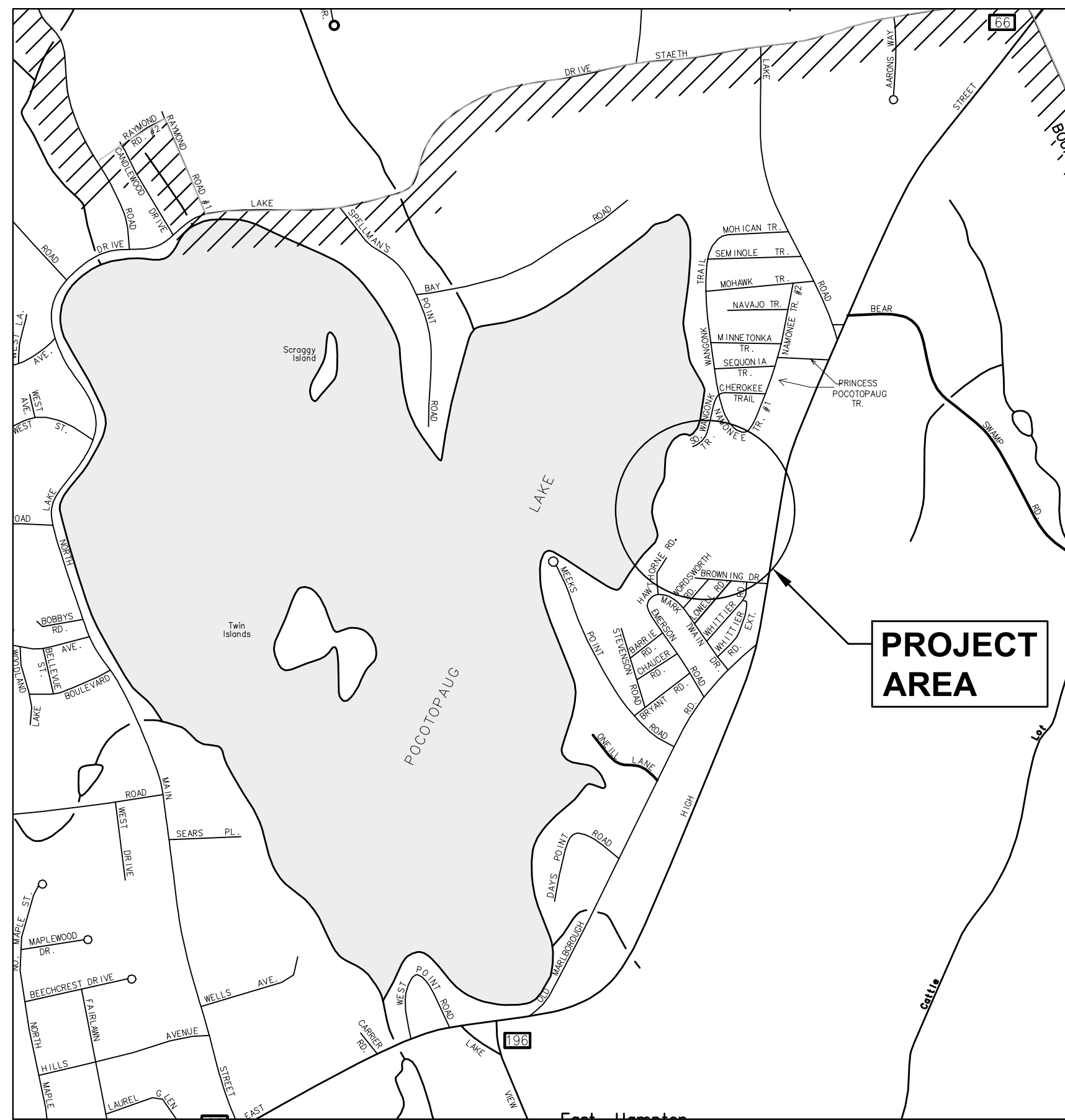
- PROPERTY LINE
- SEWER EASEMENT
- TEMPORARY CONSTRUCTION EASEMENT
- UPLAND REVIEW AREA
- PROPOSED WOODCHIP BERM
- GAS LINE
- SEWER LINE
- SEWER FORCE MAIN
- DRAINAGE PIPE
- CONTOUR
- CHAIN LINK FENCE
- STOCKADE FENCE
- RETAINING WALL
- STONE WALL
- GUIDERAIL
- TREE LINE
- EDGE OF WETLANDS
- STREAM
- WETLAND FLAG/LINE
- CATCH BASIN
- ELECTRIC MANHOLE
- SEWER MANHOLE
- DRAINAGE MANHOLE
- UTILITY POLE
- DRILL HOLE
- IRON PIN, IRON PIPE
- MERESTONE, CT HIGHWAY DEPARTMENT, MONUMENT
- TREE
- SHRUB
- LAMP



PROPOSED FORCE MAIN - Sta -0+50 to Sta 7+50
 Horiz. Scale = 1" = 40 Feet
 Vert. Scale = 1" = 4 Feet

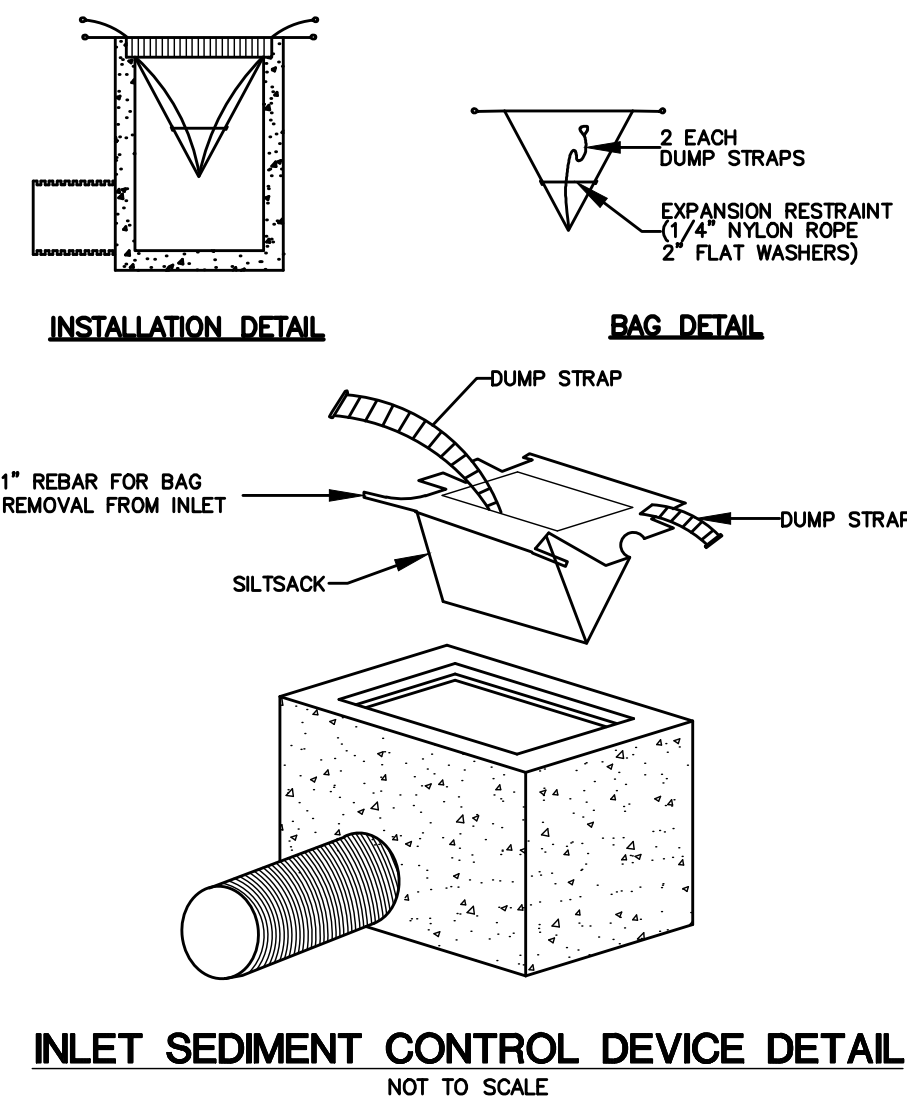
			CLA Engineers, Inc. CIVIL • STRUCTURAL • SURVEYING
1 6/21 MISC. REVISIONS			317 Main Street Norwich, CT 06360 (860) 886-1966 Fax (860) 886-9165
EAST HAMPTON WPCA		Project No. CLA-6365	
PINE TRAIL FORCE MAIN REPLACEMENT		Proj. Engineer R.A.D	
SITE PLAN		Date: 02/01/20	
1		Sheet No.	

M:\0000\0300\Pine Trail Force Main Drawings\6365 Proposed Conditions.dwg, 6/24/2021 2:37:49 PM, DWG To PDF.pc3

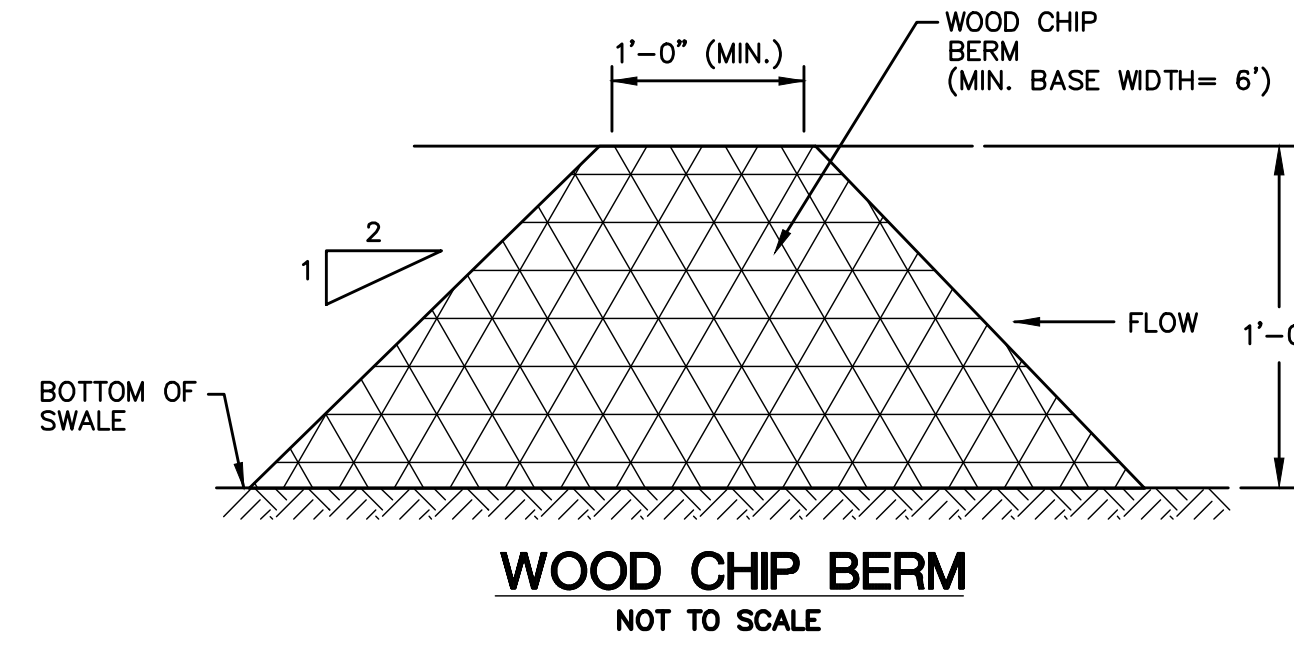


LOCUS MAP
Scale 1" = 1,000'

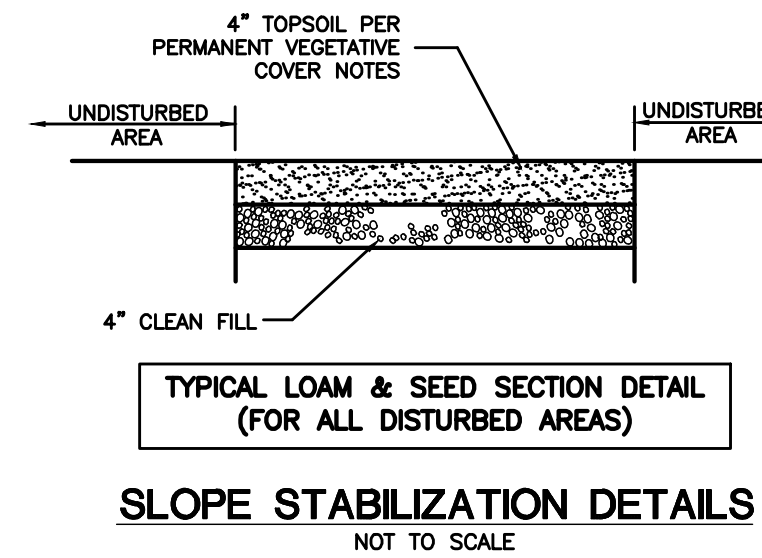
PROJECT AREA



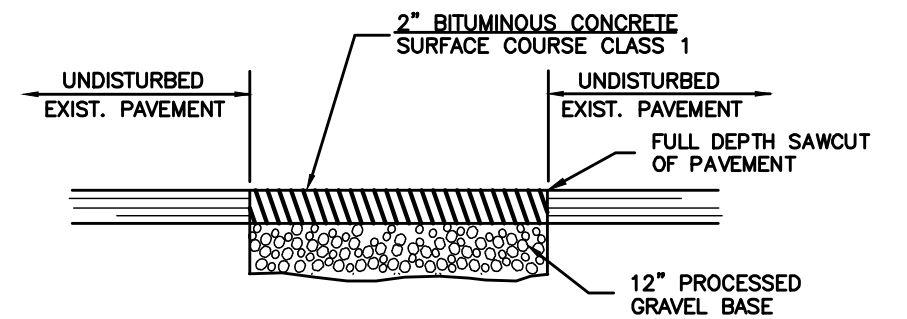
INLET SEDIMENT CONTROL DEVICE DETAIL
NOT TO SCALE



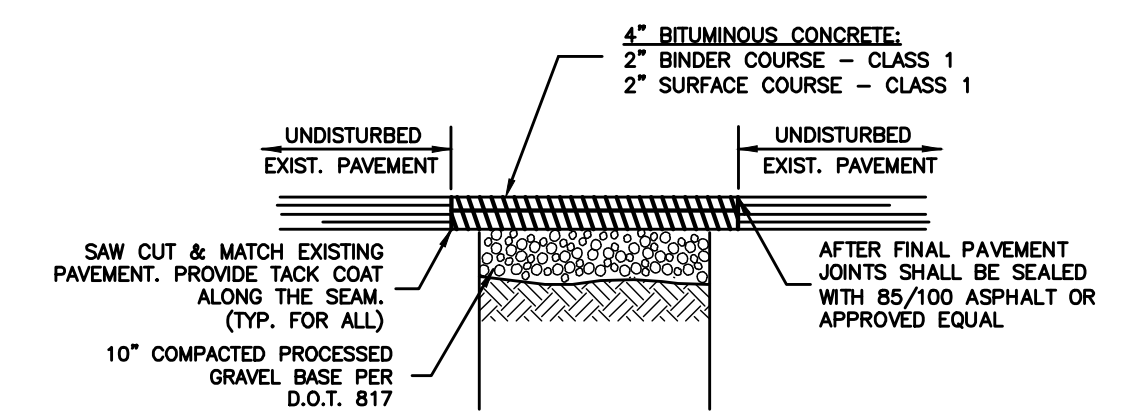
WOOD CHIP BERM
NOT TO SCALE



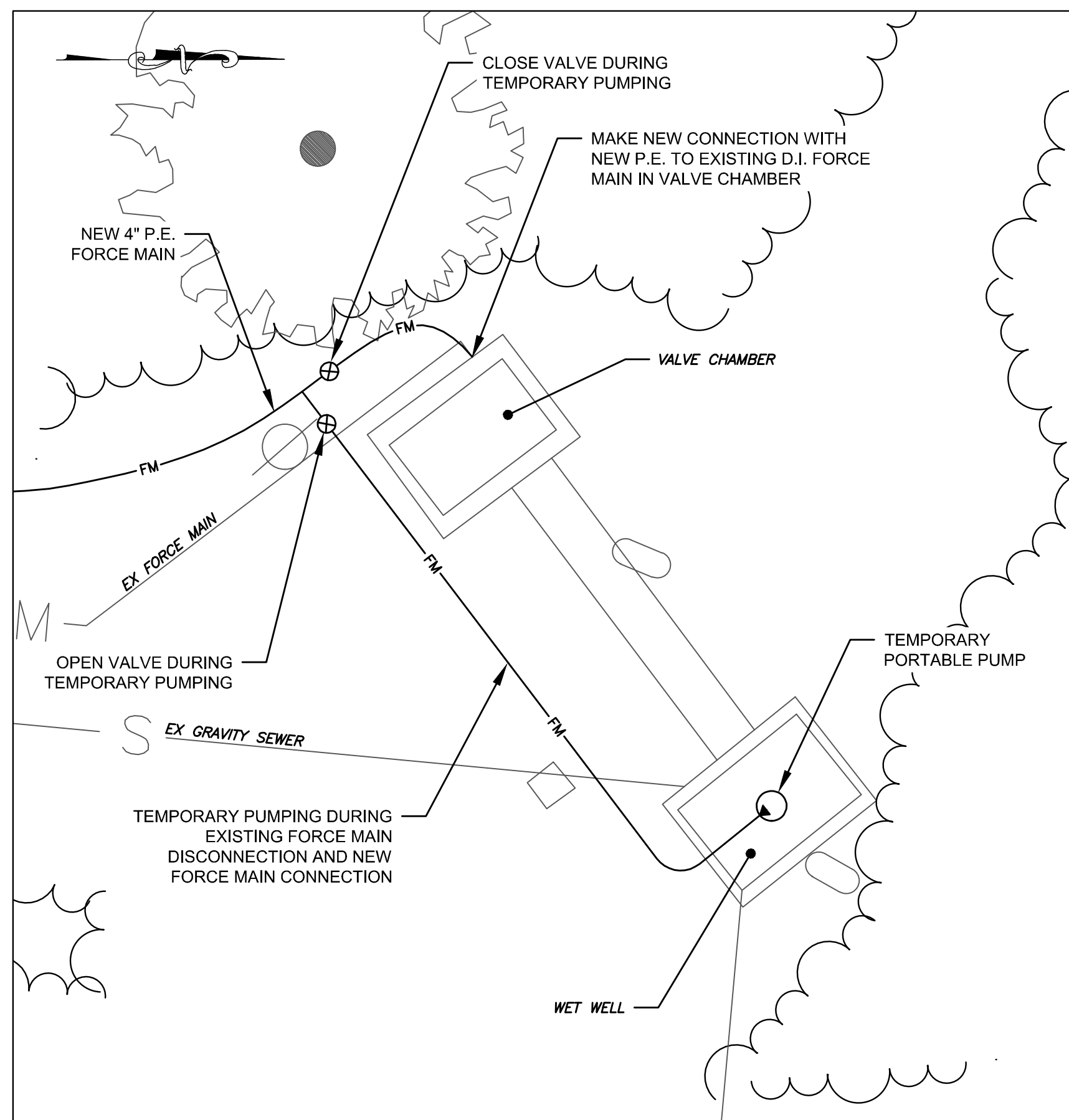
SLOPE STABILIZATION DETAILS
NOT TO SCALE



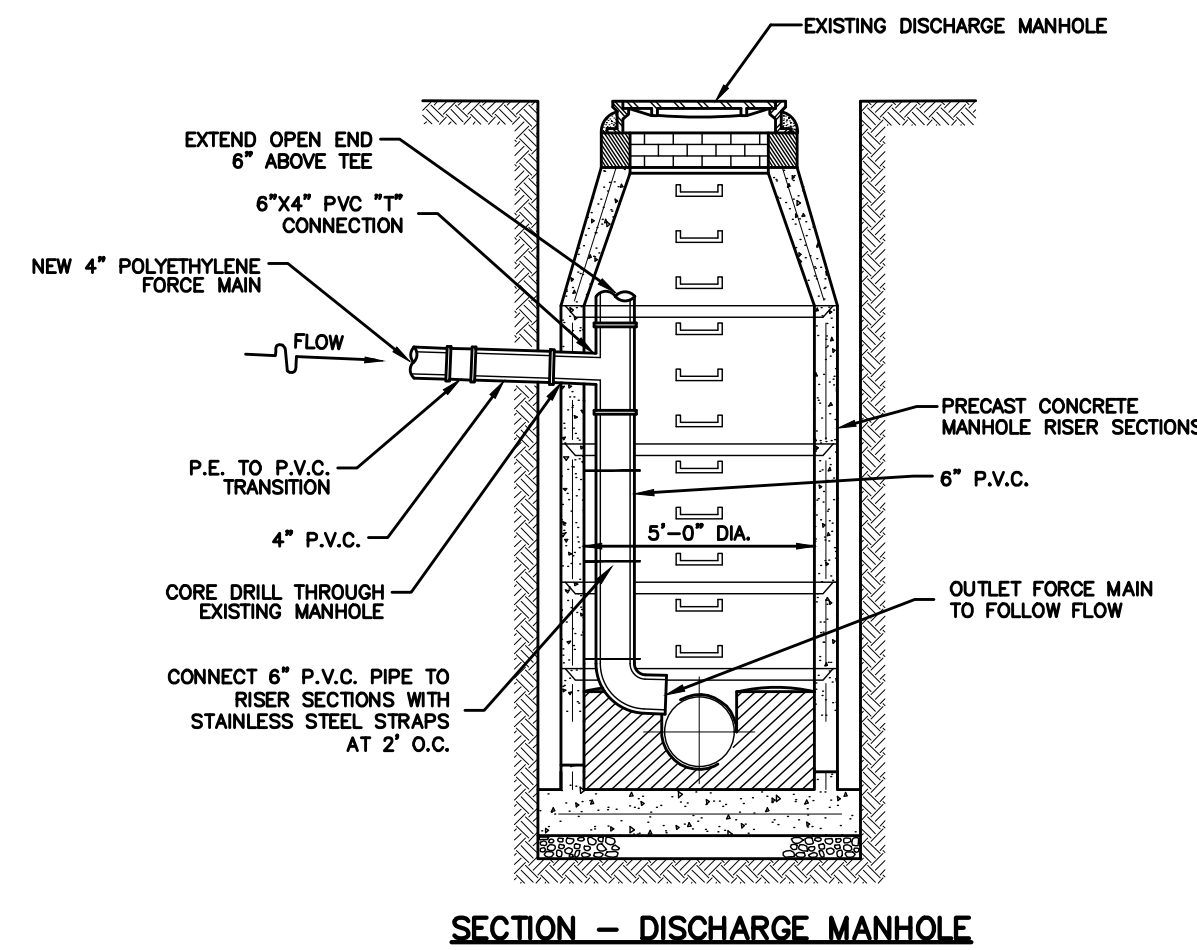
TEMPORARY PAVEMENT REPAIR (LOCAL ROADS)
NOT TO SCALE



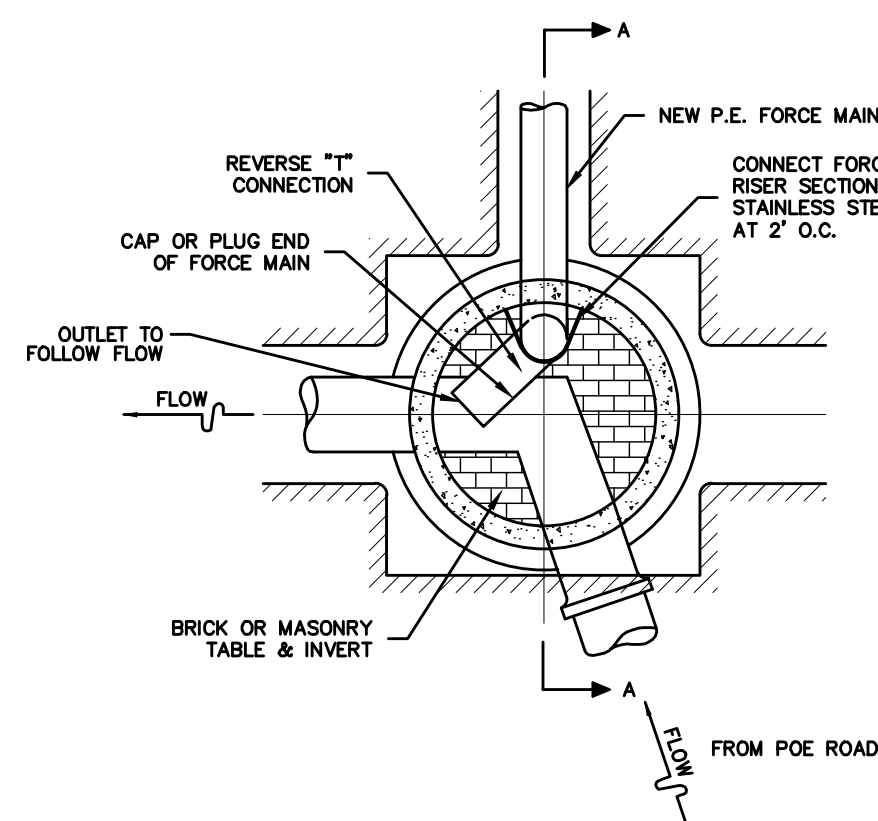
PERMANENT PAVEMENT REPAIR (LOCAL ROADS)
NOT TO SCALE



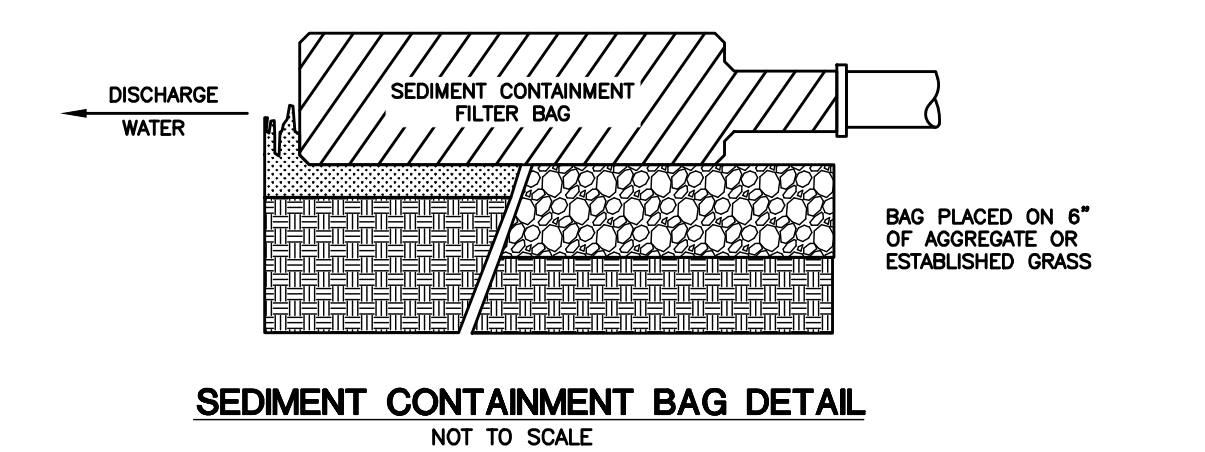
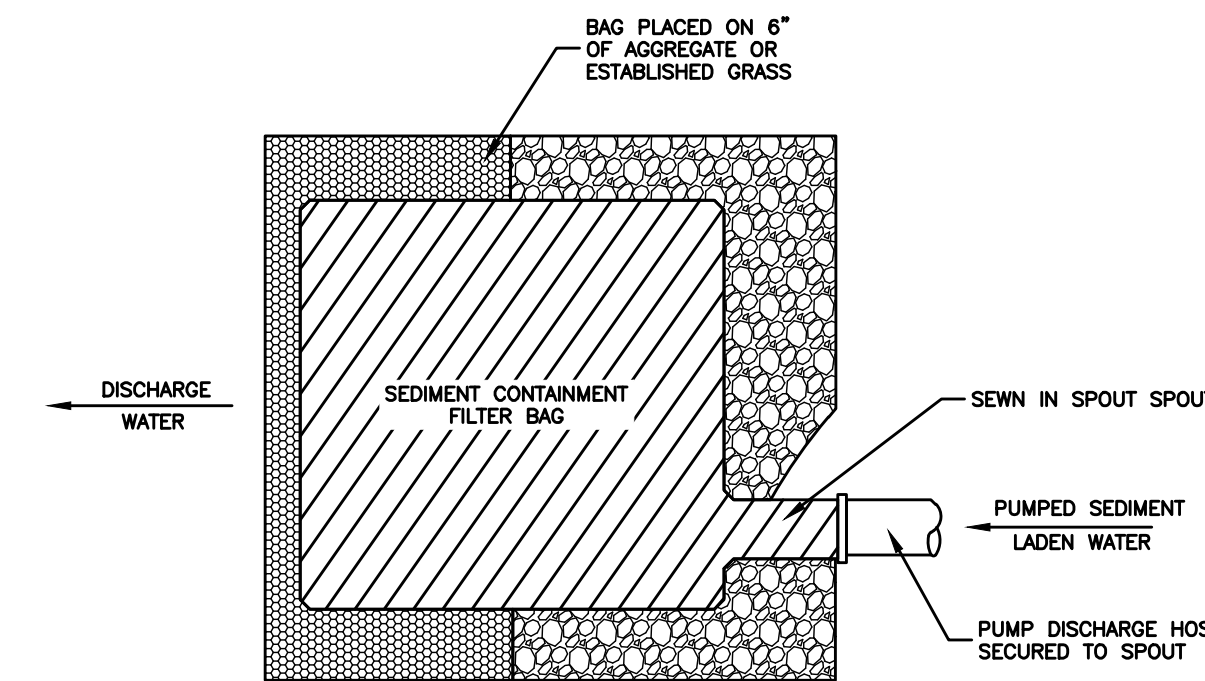
TEMPORARY PUMPING DETAIL
Scale 1" = 4'



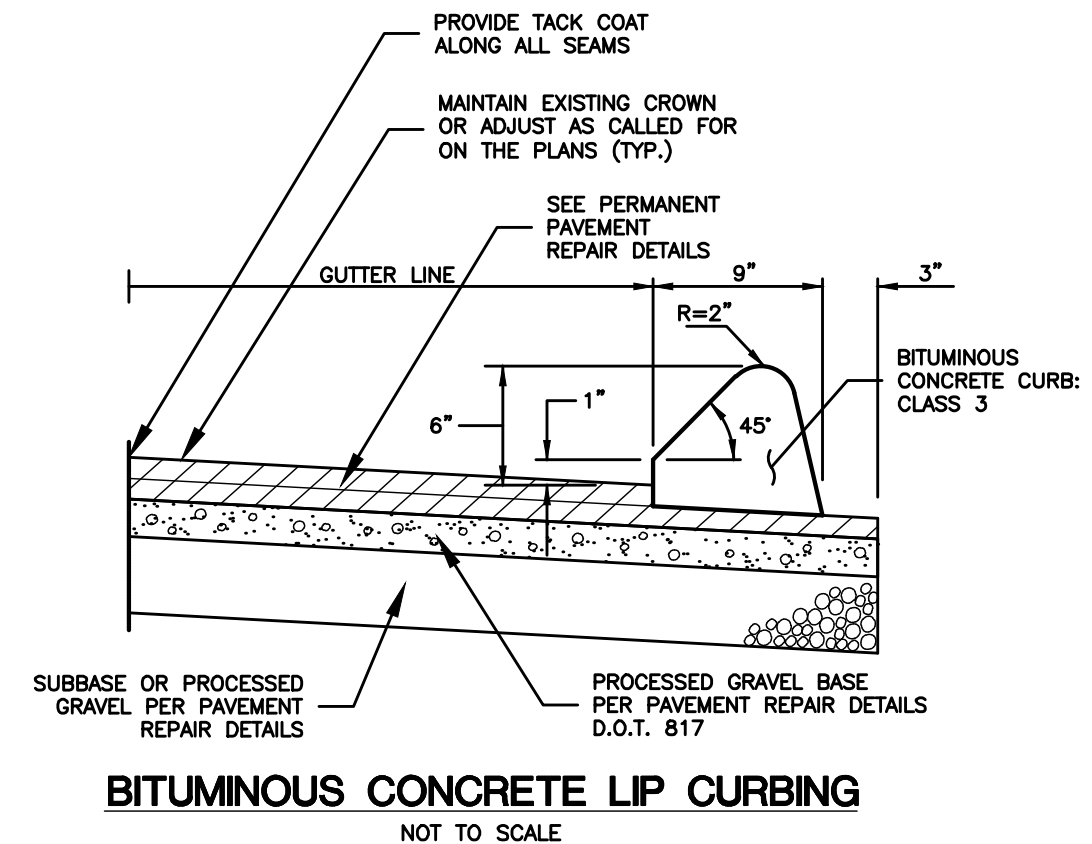
SECTION - DISCHARGE MANHOLE



PLAN - INVERT TABLE
NOT TO SCALE



SEDIMENT CONTAINMENT BAG DETAIL
NOT TO SCALE



BITUMINOUS CONCRETE LIP CURBING
NOT TO SCALE

CLA Engineers, Inc. CIVIL • STRUCTURAL • SURVEYING			Project No. CLA-6365
317 Main Street Norwich, CT 06360 (860) 886-1968 Fax (860) 886-9165			Proj. Engineer R.A.D.
EAST HAMPTON WPCA			Date: 02/01/20
PINE TRAIL FORCE MAIN REPLACEMENT			Sheet No. 2
DETAILS			
No. 1 DATE 6/21 REVISION MISC. REVISIONS			

M:\6000\6300\6365 Pine Trail Force Main Drawings\6365 Details.dwg, 6/25/2021 9:23:28 AM, DWG To PDF.pc3

